



**JMC ROKKER® Stage6 400w
4-Ch Amplifier Kit 2016-2024
Harley RoadGlide Ultra/Ltd**

#JMA6-400HR16-UL

**Installation
and Operation
Instructions**

Product Overview The new ROKKER 4-channel 400w amplifier kit has been designed specifically for use in the 2016-2024 Harley® RoadGlide Ultra/Ltd fairing with the stock Harley 4.3 Std, 6.5GT or GTS touch-screen radio, and is tuned for the stock Harley flash, NO SPECIAL FLASH needed.

This new amplifier kit is also fully compatible with the Sound Stream HDHU.14si, Precision Power HDHU.14si, & Fosgate PMX-HD14

This is a full range class D amplifier and is spec'd at 100watts RMS per channel X4 channels, (400w total) driven continuous into a 2- or 4-ohm speaker load @ 14.4vdc, and is compatible with any 2- or 4-ohm speakers with sufficient power rating.

Amplifier mounts to the Lazer-cut stainless steel 2-piece bracket system, to provide solid and secure mounting inside the fairing.

Harley Radio Programming Note: If your Harley infotainment radio was previously flashed to a different configuration from stock, (i.e., Boom! or Boom II) instruct your dealer to re-flash the radio back to "4-Speakers, Upper-Fairing, Rear-Pods, No-Amp" using the Harley or other brand digital technician.

Installation Instructions

1. Disconnect all plugs from the rear of the radio and then remove the radio itself by removing four mounting bolts. **(Figure B)**
2. Place the amplifier into the fairing upside down with the power/ground cable (Red and Black wires) facing towards the left side of the bike.
3. Connect the amplifier main wiring harness to the amp before securing to the mounting bracket. Center the amp into position, place top bracket with J&M Logo facing up, align the screw holes and insert three of the four supplied screws and tighten securely. **(Figure C)**
4. Connect the main power cable and tuck wire down on the side of the amplifier so as not to interfere with the radio as it is reinstalled. Connect the RCA input harness to the amplifier.
5. By following the factory wiring harness, route the rear speaker harness from the fairing, under the fuel tank, past the battery along the frame and then follow the speaker wires going to the 16 pin connector in front of the Tour-Pak. **(Figure A, D and E)**
6. Make Amplifier/Speaker connections as per diagram. **(Figure D)**
7. Re-install the factory radio.
8. Test the system for proper operation before reassembling the fairing, realizing that full sound quality and fidelity will not be heard until the outer fairing shell is completely reinstalled.

Fig. A

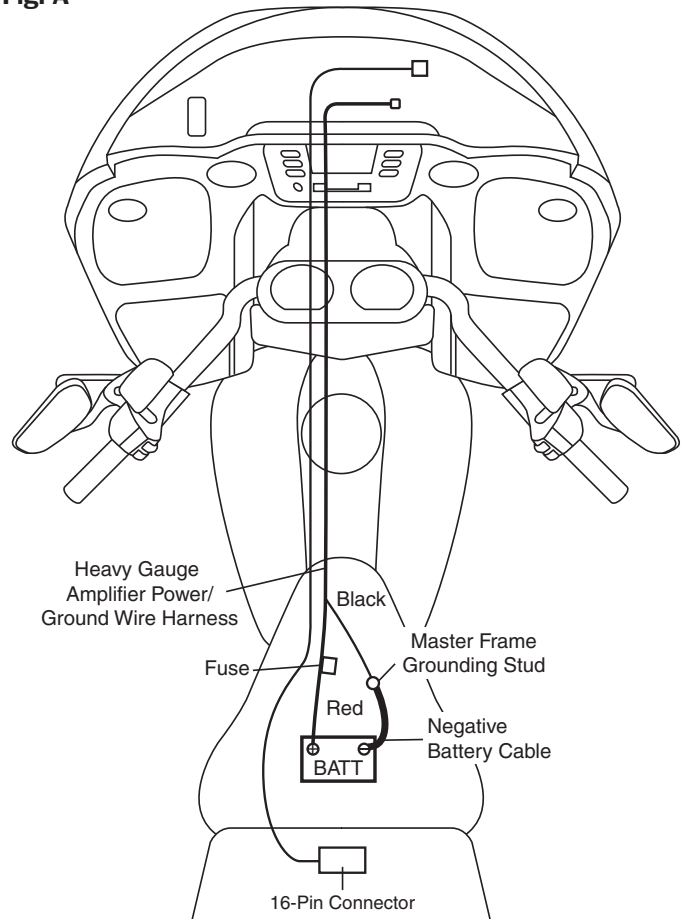
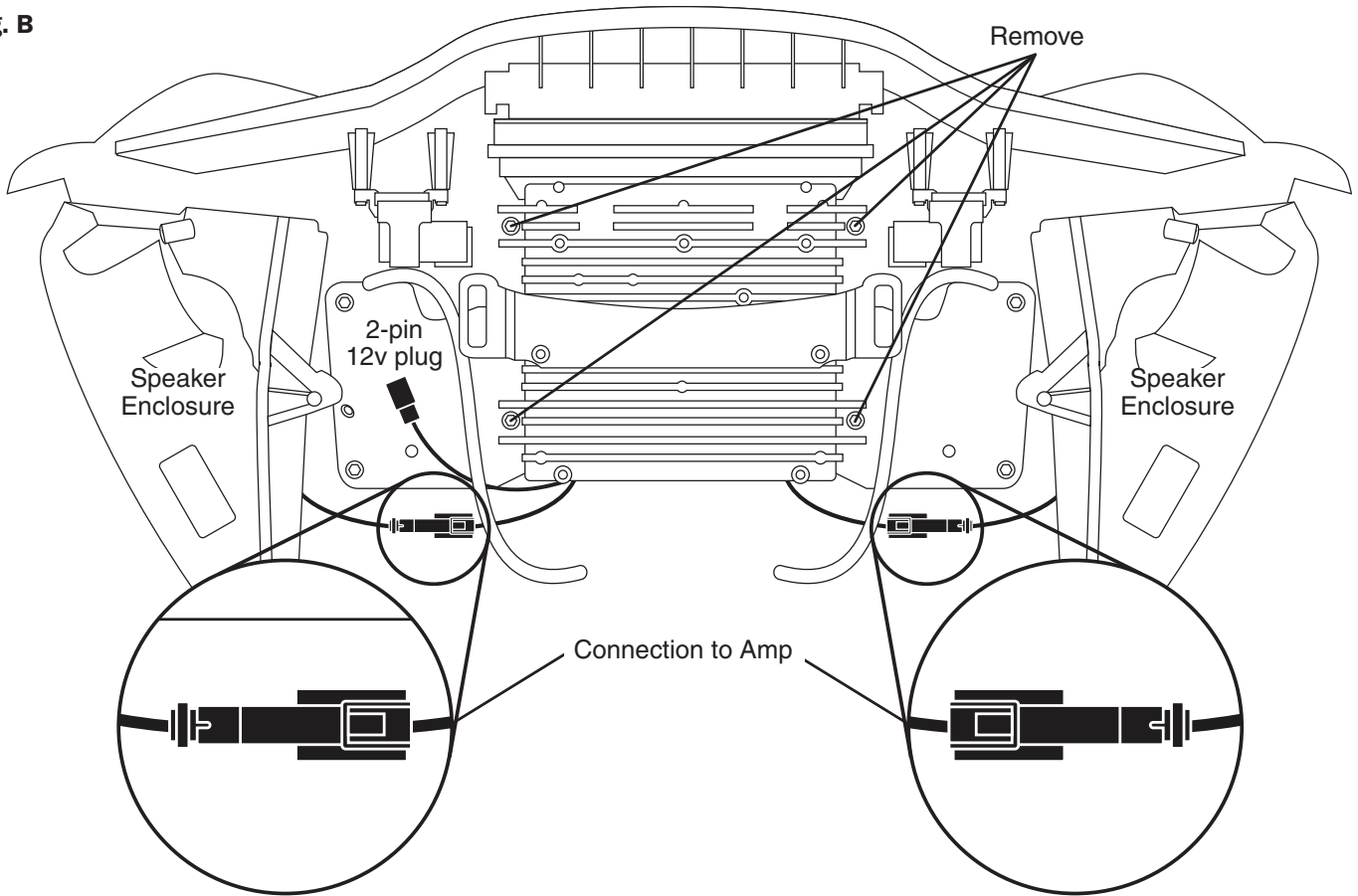


Fig. B



Important Programming Note: If your Harley infotainment radio was previously flashed to a different configuration from stock, (i.e., Boom! or Boom II) instruct your dealer to re-flash the radio back to "4-Speakers, Upper-Fairing, Rear-Pods, No-Amp" using the Harley or other brand digital technician.

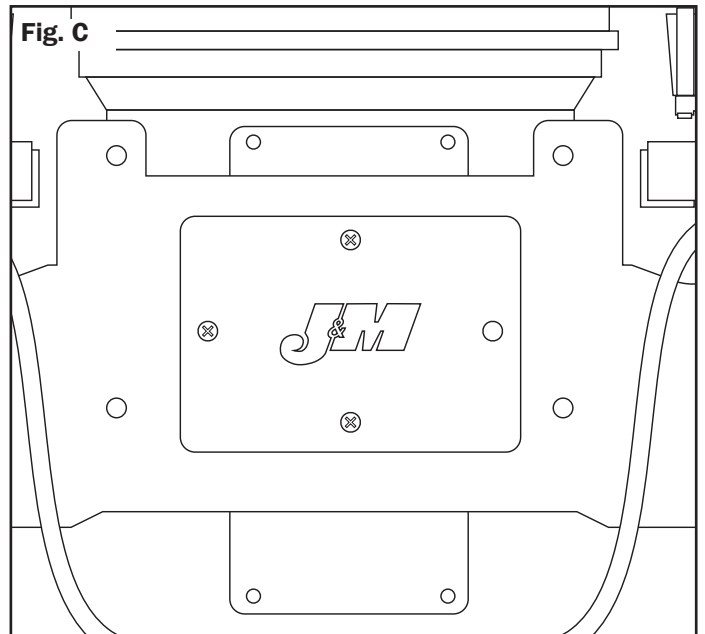


Fig. D

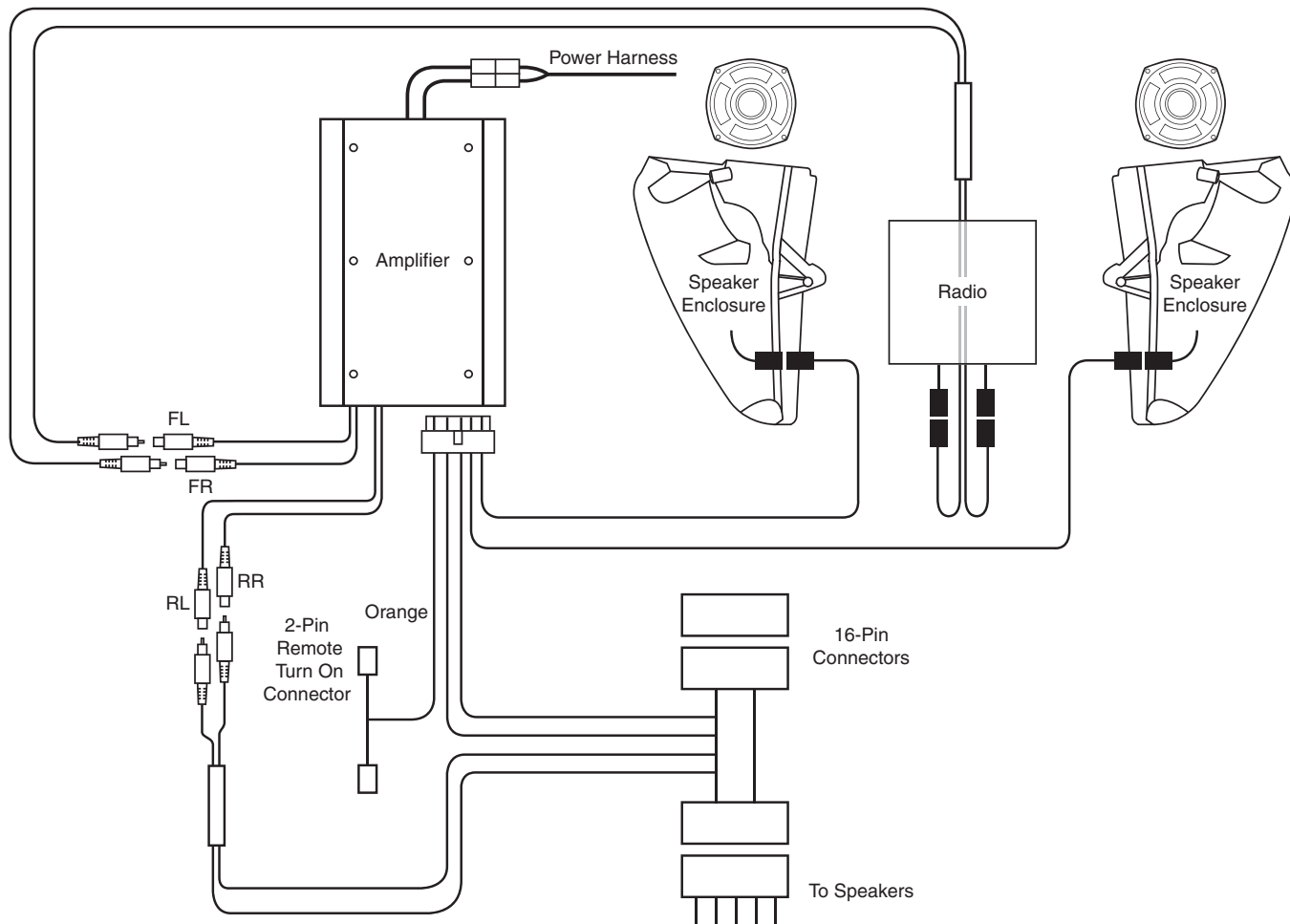
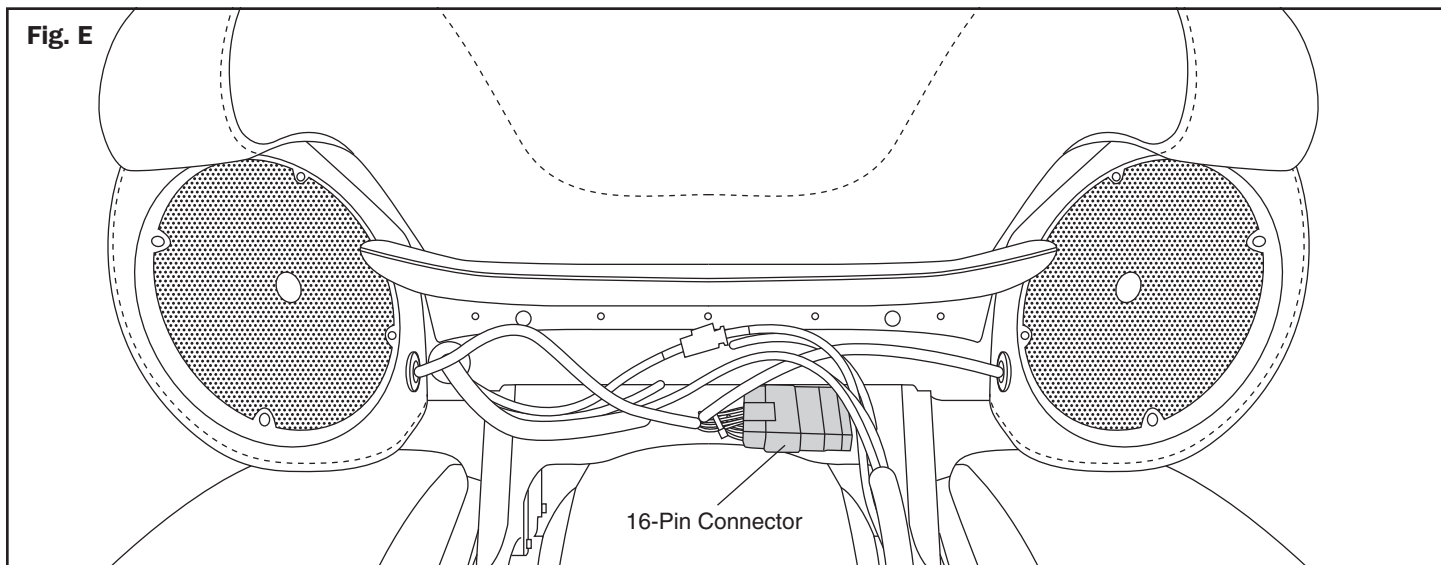


Fig. E



Specifications

ROKKER XRP 400w

Full Range Class D Amplifier

Output Power (RMS) @ 2% THD 1000Hz 14.4VDC Stereo
 @ 2ohms 4 x 100 Watts – 400w RMS Total
 Frequency Response -3dB 20Hz - 39kHz Capable

S/N Ratio Separation >100dB
 >74dB
 Input Sensitivity .35V - 3.9V
 Input Impedance 47.5K

WARRANTY AND REPAIR INFORMATION

TWO YEAR LIMITED WARRANTY In order to facilitate the servicing of this warranty, the Warranty Registration Form should be filled out and returned within 10 days of the date of purchase. However, return of the Warranty Registration Form is not a precondition of this warranty, and this Warranty will be observed by **J&M CORPORATION** whether or not the Warranty Registration Form is returned, on the condition that other satisfactory evidence of the date of the original purchase is provided to **J&M CORPORATION**.

WHO PROVIDES THE WARRANTY? This warranty is provided by **J&M CORPORATION**.

WHO IS PROTECTED? This warranty is extended only to the original owner of this J&M CORPORATION product and may not be transferred or assigned.

WHAT IS COVERED AND HOW LONG? This warranty covers all defects in material or workmanship of our product for a period of 2 years from date of original retail purchase. At its option, **J&M CORPORATION** will repair or replace any defective part(s) or equipment.

The provisions of the warranty shall not apply to any unit which has been subjected to misuse, neglect, incorrect mechanical or electrical installation, unauthorized modifications, accident, nor to units which have been repaired or altered outside of our factory.

PROCEDURE FOR OBTAINING PERFORMANCE OF WARRANTY In the event that the product does not conform to this warranty, the product should be shipped prepaid to the **J&M CORPORATION** service facility. Transportation charges, insurance fees, and labor costs for shipment, removal, or reinstallation of our product are not covered by this warranty. Loss or damage in shipment is the sole responsibility of the freight carrier.

FOR YOUR INFORMATION Repair as provided under this warranty is the exclusive remedy of the consumer. **J&M CORPORATION** shall not be liable for any incidental or consequential damages or for breach of any express or implied warranty on this product. Except to the extent prohibited by applicable law, any implied warranty of merchantability or fitness for a particular purpose on this product is limited in duration to the duration of the warranty. Some states do not allow the exclusion or limitation of incidental or consequential damages, or allow limitations on how long an implied warranty lasts, so the above limitations or exclusion may not apply to you. This warranty gives you specific legal rights which vary from state to state.

J&M CORPORATION reserves the right to make changes in design and to make improvements in its products without the obligation to incorporate the changes or improvements in any of its previously manufactured products.

J&M CORPORATION has not authorized anyone to make representations or warranties other than the warranty contained herein.

The above warranty is effective for all products manufactured after 10/01/86.

NON-WARRANTY REPAIR RATES **J&M CORPORATION** reserves the right to change the labor repair rates without prior notice. At the time of this printing the out-of-warranty repair is \$40 per hour for labor only. However, the customer is advised to verify the current rate when he/she calls customer service to obtain the return authorization number.

FACTORY SERVICE ADDRESS J&M Corporation, 1747 E 23RD ST, Tucson, Arizona, 85713, U.S.A. Tel: 1-520-624-7000 audio@jmc corp.com www.jmc corp.com

CUSTOMER SERVICE NUMBER 1-520-624-7000

Thank you for the confidence you have shown in J&M Corporation by purchasing one of our innovative products.

If you have any question or comments about this product, you may contact us at USA 1-520-624-7000 Monday thru Friday, 8:00AM thru 5:00PM Mountain Standard Time.



1747 E 23RD ST Tucson, AZ
85713 U.S.A.

Tel 1-520-624-7000

Website: <http://www.jmc corp.com>

E-mail: audio@jmc corp.com



WARRANTY REGISTRATION FORM Please fill out this card completely and mail it immediately after purchase. Please be sure that your zip code and serial number (if applicable) are legible. This will help us to serve you better.

(PLEASE PRINT)

Name _____

Address _____

City _____ State _____ Zip _____

Motorcycle Other E-mail _____

Make _____ Model _____ Year _____

Product part number _____

Serial number (if applicable) _____

Date of purchase _____

Name of dealer it was purchased from _____



Mail to:
JM Corporation 1747 E
23RD ST Tucson, AZ
85713
U.S.A.