



**JMC ROKKER® XXR 400W
2-CH Amplifier Kit For
2006-2013 Harley®
RoadGlide Fairing**

#JAMP-400HR06

**Installation
and Operation
Instructions**

Product Description

This exciting new J&M ROKKER XXR 2-channel 400w fairing speaker amplifier kit has been designed specifically for use on the 2006-2013 Harley® RoadGlide with the Harley HK radio.

This is a full range class D audio amplifier and is spec'd at 200watts RMS per channel X2 channels, (400w total) driven continuous into a 2 ohm load @ 14.4vdc.

The ROKKER XXR amplifier's settings have been dialed in & optimized for this exact speaker configuration, to provide maximum highway performance from your Harley bagger audio system.

Amplifier mounts to the custom made stainless steel bracket system, to provide solid and secure mounting inside the RoadGlide fairing.

Custom made plug-n-play wiring harnesses are included with this amplifier kit, top quality heavy gauge power/ground wires are used for the fused battery connection, along with all necessary mounting hardware & complete installation/operation instructions.

Amplifier itself measures 7 1/4" X 4 3/4" X 1 3/4".

IMPORTANT NOTE: Some 1998 thru 2005 model Road-Glides require the replacement of the factory grill assembly/speaker adapter plates in order for the J&M 350w amp kit and/or 7.25 speaker kit to be installed. It will be necessary to remove the outer fairing and inspect the factory installed grill/ adapter assemblies to determine if they need to be replaced. The early style assemblies can be identified by the method of attachment to the inner fairing. If the screws attaching the speaker go completely through the grill/adapter and into the inner fairing mounting bosses you have the early style assemblies and they will need to be replaced with the later style factory grill/adapter assemblies and mounting hardware listed below. The later style grill/adapter utilizes independent hardware to attach it to the inner fairing then the speaker is attached to the grill/adapter with 4 additional screws. If you have the later style assemblies, the J&M 350w amp kit and/or 7.25 speaker kit will fit with no additional parts or hardware needed.

UPGRADE PARTS AND HARDWARE TO BE PURCHASED FROM J&M Corpration IF NEEDED

#RRPA-RGSPA LH & RH SPEAKER ADAPTER PLATE KIT

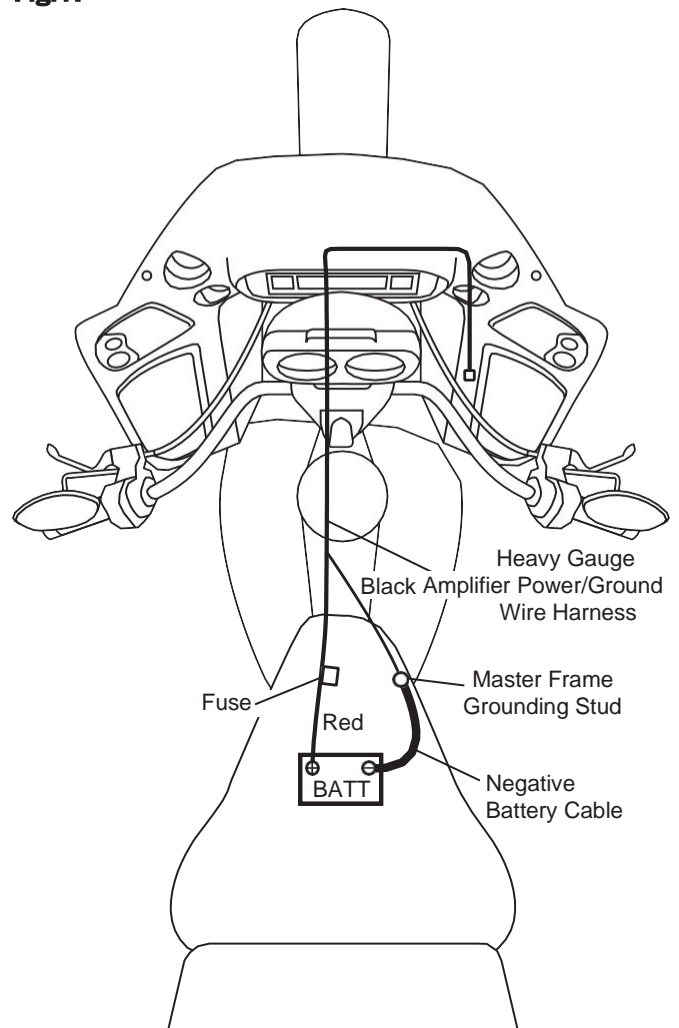
Installation Instructions

1. Remove the outer fairing shell, seat, and fuel tank.
2. By following along the factory wiring harness, route the amplifier power harness from the fairing, under the fuel tank, and on to the battery. (removal of the fuel tank is necessary for proper installation)
3. After first disconnecting the negative battery cable from the battery, connect the positive (red) lead from the amplifier power harness directly to the positive post of the battery. Then connect the negative (black) lead from the power harness to the same bolt/stud on the frame that the negative battery cable is connected to. Then reconnect the negative battery cable to the battery. **(Figure A)** Do not connect the negative (black) lead from the amplifier to the negative post of the battery.
4. Remove both of the flange nuts from the right-side inner-fairing mounting studs. **(Figure B)**

NOTE: When installing the amplifier in conjunction with J&M's 7.25 speakers, it is necessary to install the speakers before installing the amplifier. This not only allows for easier speaker installation, but is required for proper positioning and adjustment of the amplifier/bracket assembly before securing the assembly to the inner fairing.

5. After first connecting the power harness to the amplifier, install the amplifier assembly into the inner fairing by placing the assembly between the inner fairing and the right-side storage pocket while positioning the slotted holes in the mounting bracket over the right-side inner-fairing mounting studs. Re-install the flange nuts loosely but do not tighten them at this time. **(Figure C)**

Fig. A



IMPORTANT NOTE: ROUTE BOTH THE AMPLIFIER POWER HARNESS AND THE FACTORY TURN SIGNAL WIRING HARNESS ABOVE THE AMPLIFIER BEING SURE NOT TO ALLOW THEM TO BECOME PINCHED BETWEEN THE AMPLIFIER AND THE FAIRING DURING INSTALLATION.

6. Position the amplifier/bracket assembly so that there is 1/8" of clearance or greater between the amplifier and the lower edge of the 7.25 speaker, then tighten the flange nuts securing the assembly to the inner fairing. **(Figure D)**

7. Make amplifier/speaker connections according to diagram. **(Figure E)**

8. Test the system for proper operation before reassembling the fairing, realizing that full sound quality and fidelity will not be heard until the outer fairing shell is completely reinstalled.

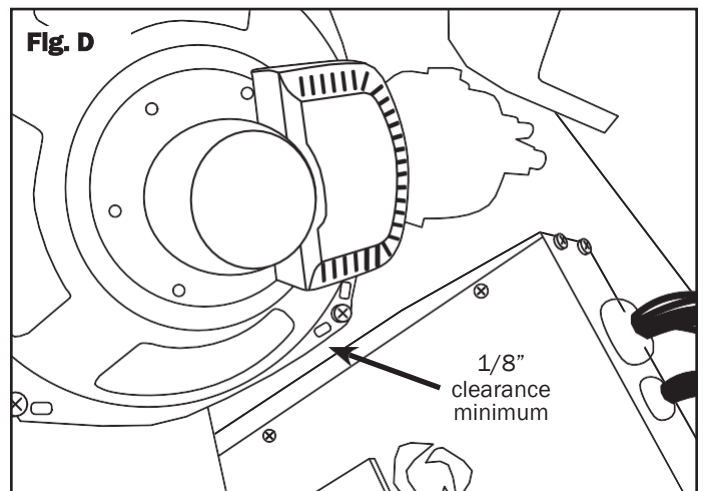
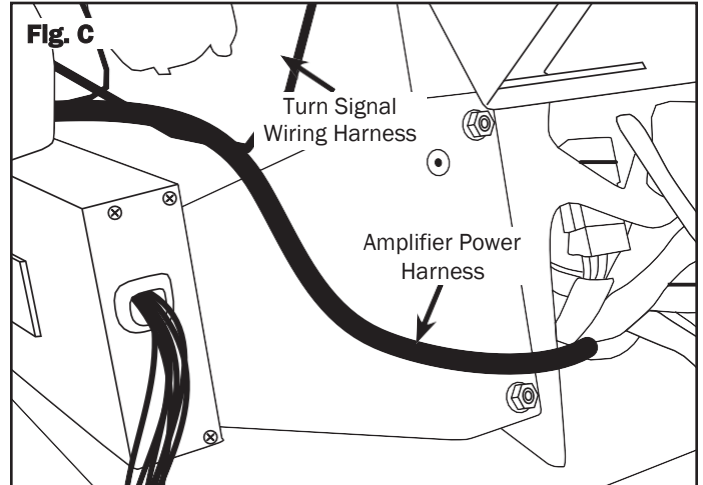
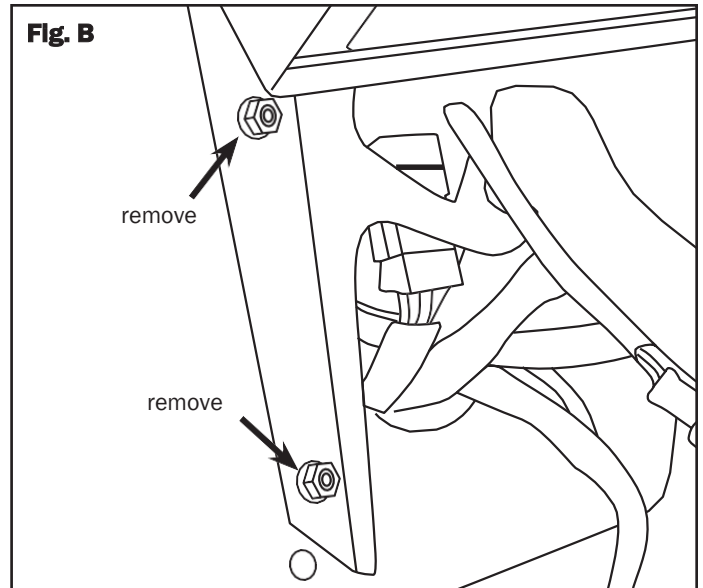
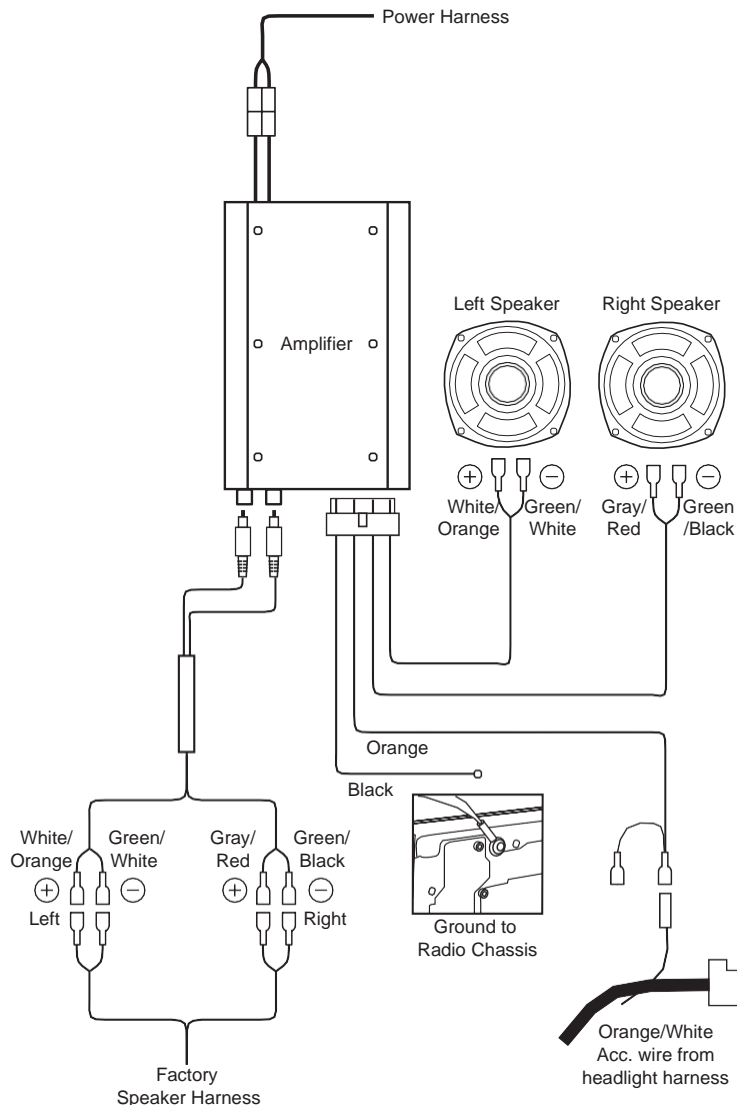


Fig. E



Specifications

ROKKER® XXR 400w RMS		
Full Range Class D Amplifier		
Output Power (RMS) @ 1.5% THD 1000Hz 14.4V	S/N Ratio	>88dB
Stereo @ 2ohms 2 x 200 watts RMS Continuous	Separation	
Frequency Response -3dB 20Hz - 31kHz Capable	Input Sensitivity	.35V - 3.9V
	Input Impedance	20K

Important Programing Note: The amplifier gain & frequency response adjustments have been pre-set at our factory for this specific Harley Davidson audio system application, using speakers with an impedance of 2-ohms, to provide maximum performance at highway speeds. Should speaker impedance load change, alternate adjustments can be made by removing the small sticker that is placed over the amplifier's input gain control screw.



1747 E 23rd St
 Tucson, AZ 85713 U.S.A.
 Tel (520) 624-7000
 Website: <http://www.jmcorp.com>
 E-mail: audio@jmcorp.com

Thank you for the confidence you have shown in J&M Corporation by purchasing one of our innovative products.

If you have any question or comments about this product, you may contact us at USA 1-520-624-7000 Monday thru Friday, 8:00AM thru 5:00PM Mountain Standard Time.

WARRANTY AND REPAIR INFORMATION

TWO YEAR LIMITED WARRANTY In order to facilitate the servicing of this warranty, the Warranty Registration Form should be filled out and returned within 10 days of the date of purchase. However, return of the Warranty Registration Form is not a precondition of this warranty, and this Warranty will be observed by **J&M CORPORATION** whether or not the Warranty Registration Form is returned, on the condition that other satisfactory evidence of the date of the original purchase is provided to **J&M CORPORATION**.

WHO PROVIDES THE WARRANTY? This warranty is provided by **J&M CORPORATION**.

WHO IS PROTECTED? This warranty is extended only to the original owner of this J&M CORPORATION product and may not be transferred or assigned.

WHAT IS COVERED AND HOW LONG? This warranty covers all defects in material or workmanship of our product for a period of 2 years from date of original retail purchase. At its option, **J&M CORPORATION** will repair or replace any defective part(s) or equipment.

The provisions of the warranty shall not apply to any unit which has been subjected to misuse, neglect, incorrect mechanical or electrical installation, unauthorized modifications, accident, nor to units which have been repaired or altered outside of our factory.

PROCEDURE FOR OBTAINING PERFORMANCE OF WARRANTY In the event that the product does not conform to this warranty, the product should be shipped prepaid to the **J&M CORPORATION** service facility. Transportation charges, insurance fees, and labor costs for shipment, removal, or reinstallation of our product are not covered by this warranty. Loss or damage in shipment is the sole responsibility of the freight carrier.

FOR YOUR INFORMATION Repair as provided under this warranty is the exclusive remedy of the consumer. **J&M CORPORATION** shall not be liable for any incidental or consequential damages or for breach of any express or implied warranty on this product. Except to the extent prohibited by applicable law, any implied warranty of merchantability or fitness for a particular purpose on this product is limited in duration to the duration of the warranty. Some states do not allow the exclusion or limitation of incidental or consequential damages, or allow limitations on how long an implied warranty lasts, so the above limitations or exclusion may not apply to you. This warranty gives you specific legal rights which vary from state to state.

J&M CORPORATION reserves the right to make changes in design and to make improvements in its products without the obligation to incorporate the changes or improvements in any of its previously manufactured products.

J&M CORPORATION has not authorized anyone to make representations or warranties other than the warranty contained herein.

The above warranty is effective for all products manufactured after 10/01/86.

NON-WARRANTY REPAIR RATES **J&M CORPORATION** reserves the right to change the labor repair rates without prior notice. At the time of this printing the out-of-warranty repair is \$40 per hour for labor only. However, the customer is advised to verify the current rate when he/she calls customer service to obtain the return authorization number.

FACTORY SERVICE ADDRESS J&M Corporation, 1747 E 23RD ST, Tucson, Arizona, 85713, U.S.A. Tel: 1-520-624-7000 audio@jmc corp.com www.jmc corp.com

CUSTOMER SERVICE NUMBER 1-520-624-7000

Thank you for the confidence you have shown in J&M Corporation by purchasing one of our innovative products.

If you have any question or comments about this product, you may contact us at USA 1-520-624-7000 Monday thru Friday, 8:00AM thru 5:00PM Mountain Standard Time.



1747 E 23RD ST Tucson, AZ
85713 U.S.A.

Tel 1-520-624-7000

Website: <http://www.jmc corp.com>

E-mail: audio@jmc corp.com



WARRANTY REGISTRATION FORM Please fill out this card completely and mail it immediately after purchase. Please be sure that your zip code and serial number (if applicable) are legible. This will help us to serve you better.

(PLEASE PRINT)

Name _____

Address _____

City _____ State _____ Zip _____

Motorcycle Other E-mail _____

Make _____ Model _____ Year _____

Product part number _____

Serial number (if applicable) _____

Date of purchase _____

Name of dealer it was purchased from _____



Mail to:
JM Corporation 1747 E
23RD ST Tucson, AZ
85713
U.S.A.