

Headset Installation Instructions

WARNING! Helmet speakers may not be legal in all jurisdictions. Check your local laws BEFORE using this product. J & M Corporation cannot control the circumstances surrounding the sale of this equipment, the quality of installation, or the specific helmet into which this equipment is installed. Accordingly, J & M Corporation makes no warranties, expressed or implied, related thereto. A helmet with this equipment installed may not protect the user from injury. The user assumes all liability in conjunction with accidents, injuries or losses of any kind arising out of the use of this product. Additionally, this product should not be used in any way that would impair the user's ability to hear traffic or other noises. Accordingly, the volume should be kept low or off, depending upon the circumstances.

Installation into most 3/4 (Open-Face) & Flip-Up Modular Style Helmets

1. Begin by examining the ear pocket area inside your helmet to ensure that there is sufficient room to mount the speakers, so that they do not come in contact with your ears. **See Figure 1.**

1. It is important to have the helmet fit and feel the same after the speakers are installed as it did prior to headset installation. If a small amount of styrene material needs to be removed to keep the speakers from pressing against your ears, make sure to remove ONLY the minimum amount, (no more than 1/4") so as to preserve the protective characteristics of your helmet.

2. Clean the bottom of each speaker mounting location with a cloth dampened with alcohol or Windex. Peel the backing from the supplied Velcro® pads and press them into the bottom of each speaker mounting area.

3. Position the boom microphone/clamp mounting assembly on the left side of the helmet so that the microphone lines up with the wearer's mouth & mark this position. **See Figure 2.**

4. Tighten the clamp to the helmet with the rubber friction spacer in place & plug-in the microphone to the corresponding plug from the clamp. **See Figure 3.**

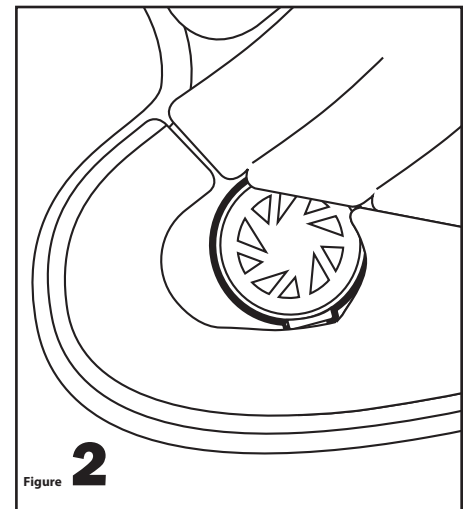
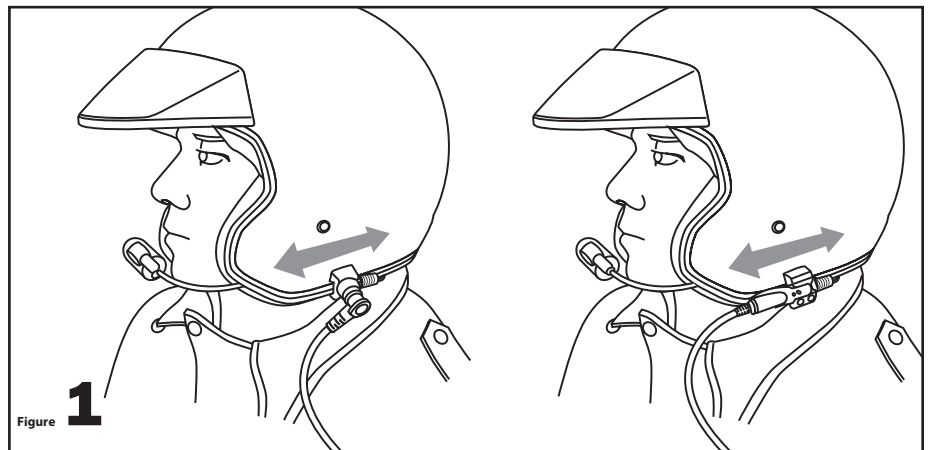
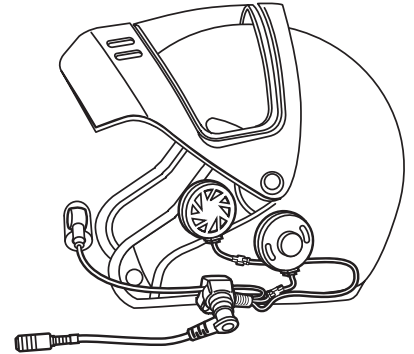
5. Position the speakers into their proper mounting position and press them firmly onto the Velcro® pads. Then plug each one into their corresponding plug from the clamp assembly.

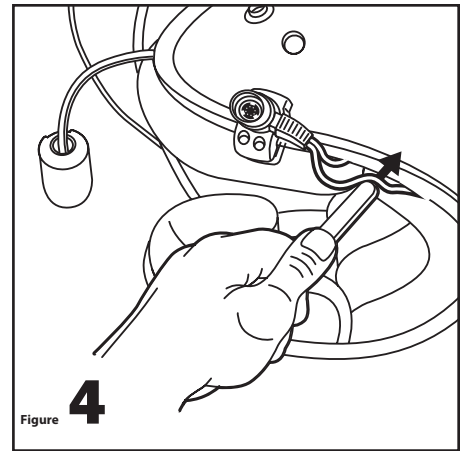
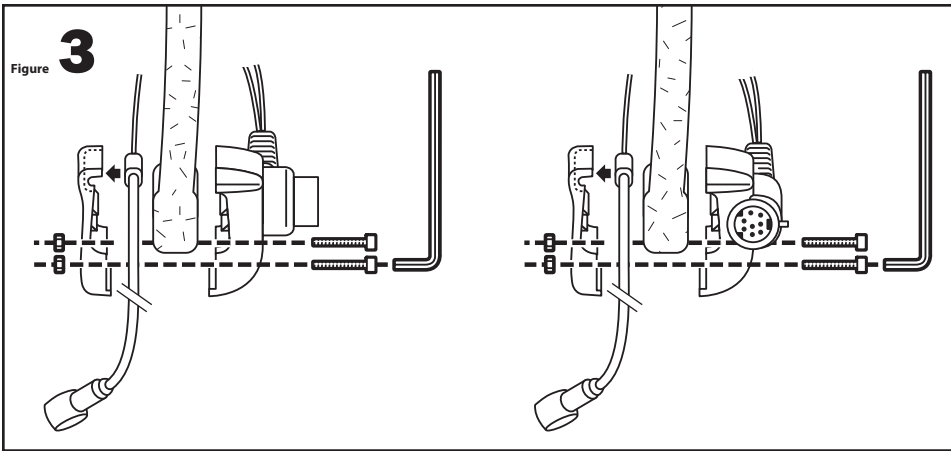
6. Pull the small, medium or large sized wind sock (which-ever you prefer) over the microphone.

7. Using the enclosed wooden tool, carefully push the speaker wires into the gap between the helmet liner and shell. **See Figure 4.**

Notes: When using your intercom system, regardless of headset brand or type, it is important to turn the intercom volume level high enough for comfortable conversation, but not any higher. Unnecessarily high intercom volume levels will only increase the unwanted wind and background noise you may experience.

When plugging in the right-angle hook-up cord that comes with some headset models, it may be necessary, especially the first time, to press a little harder than usual to make sure that the connection is fully made. This will keep the cord from accidentally becoming unplugged while riding. When plugging in the straight-line hook-up cord that comes with some headset models, be sure to use the rubber strap. This will keep the cord from accidentally becoming unplugged while riding.





Installation into most Full-Face Style Helmets

The full-face style of helmet can present special challenges for headset installation. If you do not feel you are up to the task, you may send your "un-modified" helmet to our factory in Tucson and we will perform the installation for a nominal fee. (Please contact us first to ensure that J&M is able to install a headset into your particular brand/model of helmet.)

1. Most full-face style helmets have cheek pads or a complete nose section that can be removed. Carefully do so at this time, paying special attention so as not to break or damage any of the polystyrene parts and also remove the soft fabric lining material around the cheek pads.

2. Remove the padding material that is installed around the J&M speakers & then using one of the speakers as a guide, mark the area where the circular pieces of styrene will be removed from the back of the ear area of the cheek pad or nose section. **See Figure 5.**

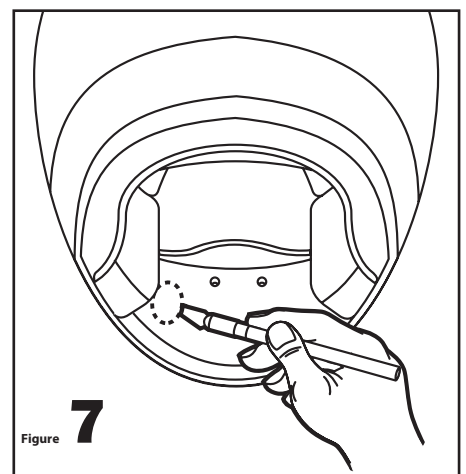
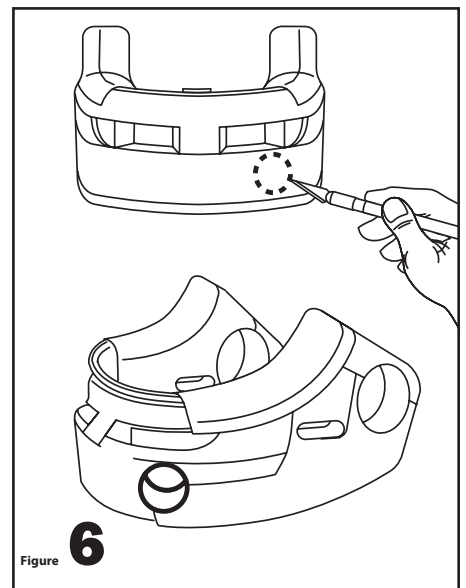
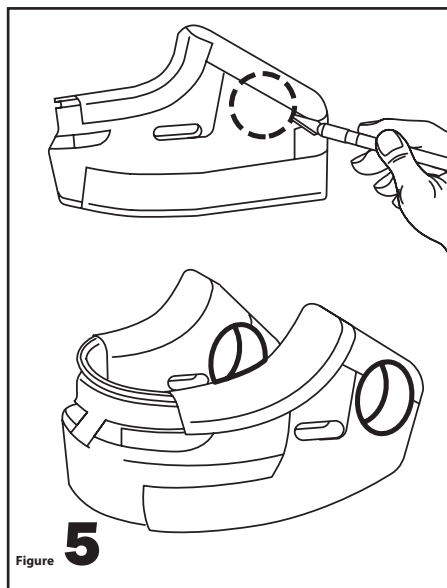
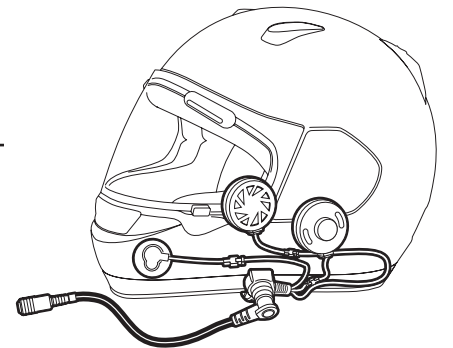
3. With an Exacto® knife, cut a hole slightly smaller than the actual speaker diameter so that the speaker will "press fit" into the hole without damaging the styrene. An airtight seal is necessary to preserve bass response as the sound pressure from the back of the speaker housing should not be allowed to mix with the sound pressure from the front. It is important to have the helmet fit and feel the same after the speakers are installed as it did prior to headset installation.

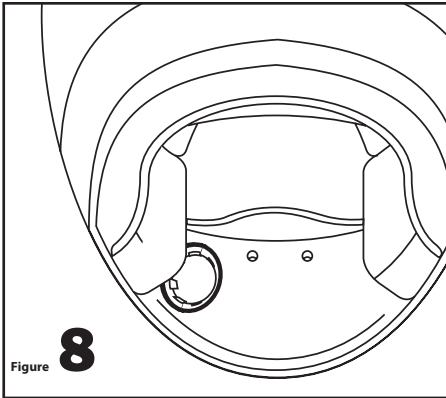
4. Mark an area in the nose section just to the left of center to mount the microphone. **See Figure 6.** Make sure that this placement will not interfere with any venting mechanisms or other parts of the helmet upon re-installation of the nose section.

5. Using an Exacto® knife, cut a hole of sufficient size to allow the microphone to be mounted through the nose section and be pressed against the inside shell. **See Figure 7.** Insert the microphone cartridge through the hole from the back side, install the rubber boot and push the mike back into the hole from the front side. **See Figure 8.**

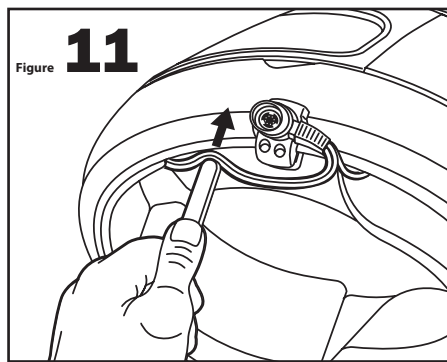
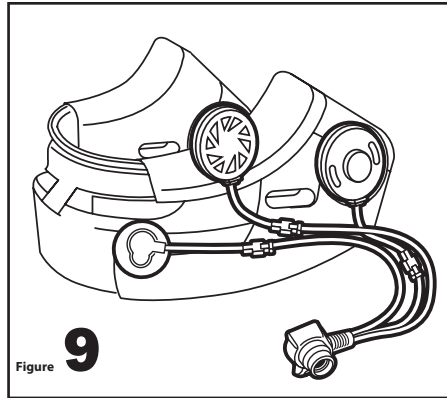
6. Position the speakers into the cheek pads and press them firmly into place. **See Figure 9.**

7. Clean the inside of the helmet shell where the speakers and microphone will be positioned with a cloth dampened with alcohol. Peel the backing from each supplied Velcro pad and press it into the proper position for the speakers and microphone to contact when the helmet is re-assembled.



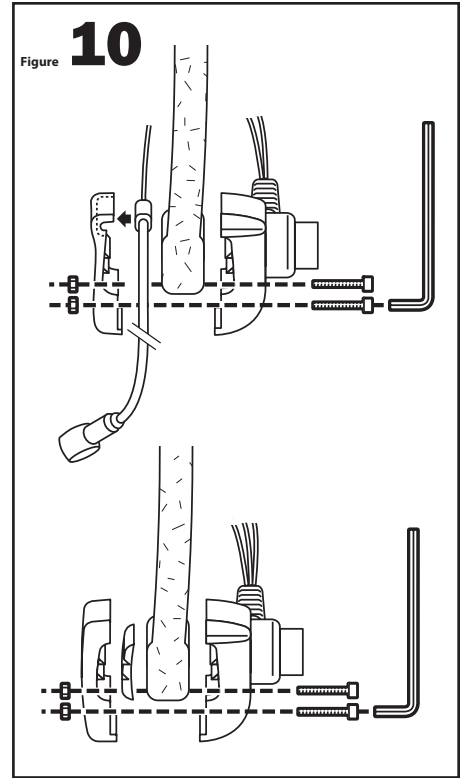


8. Reinstall the nose section and/or cheek pads & push the speakers and microphone firmly against the Velcro® pads.



9. Mount the clamp in the proper position on the left bottom edge of the helmet and tighten the clamp with the rubber friction spacer in place. **See Figure 10.**

10. Plug both speakers and the microphone into their corresponding plugs from the socket clamp assembly. **See Figure 9.**



11. Using the included wooden tool, carefully push the wires into the gap between the helmet liner and shell. **See Figure 11.**

Notes: When using your intercom system, regardless of headset brand or type, it is important to turn the intercom volume level high enough for comfortable conversation, but not any higher. Unnecessarily high intercom volume levels will only increase the unwanted wind and background noise you may experience.

When plugging in the right angle hook-up cord that comes with some headset models, it may be necessary, especially the first time, to press a little harder than usual to make sure that the connection is fully made. This will keep the cord from accidentally becoming unplugged while riding. When plugging in the straight line hook-up cord that comes with some headset models, be sure to use the rubber strap. This will keep the cord from accidentally becoming unplugged while riding.

Audio Specifications

Speaker impedance 32 Ω ± 10%

Microphone impedance 250 Ω ± 10%



J&M Corporation
 Tucson, Arizona, U.S.A.
 Tel. 1-800-358-0881
 www.jmcorp.com
 audio@jmcorp.com

Thank you for the confidence you have shown in J & M by purchasing one of our innovative products. It will give you many hours of riding pleasure. If you have any questions during installation or require more information about this product, you may call our Customer service Department (English only, please) at 1-800-358-0881, Monday through Friday, 8:00 a.m. to 5:00 p.m. Mountain Standard Time, U.S.A.

WARRANTY AND REPAIR INFORMATION

TWO YEAR LIMITED WARRANTY In order to facilitate the servicing of this warranty, the Warranty Registration Form should be filled out and returned within 10 days of the date of purchase. However, return of the Warranty Registration Form is not a precondition of this warranty, and this Warranty will be observed by **J&M CORPORATION** whether or not the Warranty Registration Form is returned, on the condition that other satisfactory evidence of the date of the original purchase is provided to J&M CORPORATION. WHO PROVIDES THE WARRANTY? This warranty is provided by **J&M CORPORATION**.

WHO IS PROTECTED? This warranty is extended only to the original owner of this **J&M CORPORATION** product and may not be transferred or assigned.

WHAT IS COVERED AND HOW LONG? This warranty covers all defects in material or workmanship of our product for a period of 2 years from date of original retail purchase. At its option, **J&M CORPORATION** will repair or replace any defective part(s) or equipment.

The provisions of the warranty shall not apply to any unit which has been subjected to misuse, neglect, incorrect mechanical or electrical installation, unauthorized modifications, accident, nor to units which have been repaired or altered outside of our factory.

PROCEDURE FOR OBTAINING PERFORMANCE OF WARRANTY In the event that the product does not conform to this warranty, the product should be shipped prepaid to the **J&M CORPORATION** service facility. Transportation charges, insurance fees, and labor costs for shipment, removal, or reinstallation of our product are not covered by this warranty. Loss or damage in shipment is the sole responsibility of the freight carrier.

FOR YOUR INFORMATION Repair as provided under this warranty is the exclusive remedy of the consumer. **J&M CORPORATION** shall not be liable for any incidental or consequential damages or for breach of any express or implied warranty on this product. Except to the extent prohibited by applicable law, any implied warranty of merchantability or fitness for a particular purpose on this product is limited in duration to the duration of the warranty. Some states do not allow the exclusion or limitation of incidental or consequential damages, or allow limitations on how long an implied warranty lasts, so the above limitations or exclusion may not apply to you. This warranty gives you specific legal rights which vary from state to state.

J&M CORPORATION reserves the right to make changes in design and to make improvements in its products without the obligation to incorporate the changes or improvements in any of its previously manufactured products.

J&M CORPORATION has not authorized anyone to make representations or warranties other than the warranty contained herein. The above warranty is effective for all products manufactured after 10/01/86.

NON-WARRANTY REPAIR RATES **J&M CORPORATION** reserves the right to change the labor repair rates without prior notice. At the time of this printing the out-of-warranty repair is \$80 per hour for labor only. However, the customer is advised to verify the current rate when he/she calls customer service to obtain the return authorization number.

FACTORY SERVICE ADDRESS J&M Corporation, 1415 S. Cherry Avenue, Tucson, Arizona, 85713, U.S.A. Tel: 1-800-358-0881 audio@jmc corp.com www.jmc corp.com

CUSTOMER SERVICE NUMBER 1-800-358-0881



WARRANTY REGISTRATION FORM

Please fill out this card completely and mail it immediately after purchase. Please be sure that your zip code and serial number (if applicable) are legible. This will help us to serve you better.

(PLEASE PRINT)

Name _____

Address _____

City _____ State _____ Zip _____

Motorcycle Other E-mail _____

Make _____ Model _____ Year _____

Product part number _____

Serial number (if applicable) _____

Date of purchase _____

Name of dealer it was purchased from _____



Mail to:
J&M Corporation
1415 S. Cherry Avenue
Tucson, AZ 85713
U.S.A.