



Bluetooth® Helmet Headset BT-05 Series



Installation & Operation Instructions

Table of Contents

Product Description	Section 1	Installation Instructions For Full-Face Style Helmets	Section 5B
Safety & General Information	Section 2	Installation Instructions For Shorty Style Helmets	Section 5C
Package Contents	Section 3	General Operation Instructions	Section 6
Controls and Functions	Section 4	Operation Instructions	Section 7
Installation Instructions For Modular Flip-up & Open-Face Style Helmets	Section 5A	2018-21 GoldWing Instructions	Section 8

1. Product Description

J&M's BT-05 elite & performance series Bluetooth headsets are designed for installation into most modular flip-up, open-face, full-face and shorty-style helmets, using specific designated models.

The audio performance of J&M's elite series Bluetooth headsets will rival that of our best corded headsets, so you don't have to sacrifice good sound when going wireless.

Our elite series features both the boom and chin-bar mount style AeroMike® VI microphones for the very best in wind and ambient noise cancelling at highway speeds.

Control head features the QCC module, for easy pairing to most Bluetooth enabled audio devices, including iPhone, Android & Windows Smartphones.

The very latest multifunctional Bluetooth 5.0 software package includes standard profiles of HSP, HFP, A2DP Stereo & AVRCP, along with the J&M Exclusive helmet to helmet intercom profile.

Headsets (2) can be paired together for crystal clear intercom communications at distances of up to ½ mile.

Easy to feel and operate external controls for volume up/dn, helmet to helmet linking, multifunction button call answer/initiate/linking and on/off.

Control head is powered by a rechargeable Lithium power cell providing 10-14 hours of use from a full charge

Versatile, easy to install component design to allow removal of the control head for in-house charging away from the helmet.

You will not find a better performing Bluetooth helmet headset anywhere; you have our name on it.

2. Safety and General Information

IMPORTANT INFORMATION FOR SAFE AND EFFICIENT OPERATION. READ THIS INFORMATION BEFORE USING YOUR DEVICE.

Users are not permitted to make changes or modify the device in any way. Changes or modifications not expressly approved by the party responsible for compliance could void the user's authority to operate the equipment. See 47 CFR Sec. 15.21.

This device complies with part 15 of the FCC Rules. Operation is subject to the following two conditions: (1) This device may not cause harmful interference, and (2) this device must accept any interference received, including interference that may cause undesired operation. See 47 CFR Sec. 15.19.

ELECTROMAGNETIC INTERFERENCE/COMPATIBILITY

Note: Nearly every electronic device is susceptible to electromagnetic interference (EMI) if inadequately shielded, designed or otherwise configured for electromagnetic compatibility.

FACILITIES

To avoid electromagnetic interference and/or compatibility conflicts, turn off your device in any facility where posted notices instruct you to do so. Hospitals or health care facilities may be using equipment that is sensitive to external RF energy.

MEDICAL DEVICES

HEARING AIDS

Some devices may interfere with some hearing aids. In the event of such interference, you may want to consult with your hearing aid manufacturer to discuss alternatives.

OTHER MEDICAL DEVICES

If you use any other personal medical device, consult the manufacturer of the device to determine if it is adequately shielded from RF energy. Your physician may be able to assist you in obtaining this information.

Industry Canada Notice to Users

Operation is subject to the following two conditions: (1) This device may not cause interference and (2) This device must accept any interference, including interference that may cause undesired operation of the device.

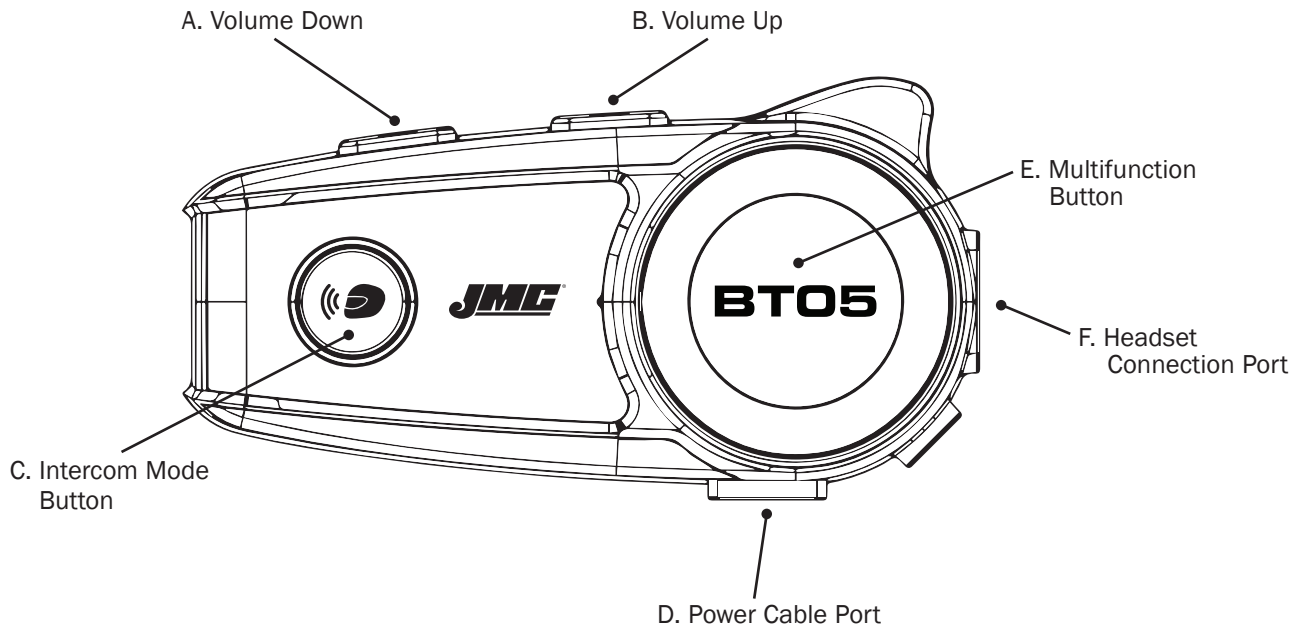
FCC Notice to Users

This equipment has been tested and found to comply with the limits for a Class B digital device, pursuant to part 15 of the FCC Rules. These limits are designed to provide reasonable protection against harmful interference in a residential installation. This equipment generates uses and can radiate radio frequency energy and, if not installed and used in accordance with the instructions, may cause harmful interference to radio communications. However, there is no guarantee that interference will not occur in a particular installation. If this equipment does cause harmful interference to radio or television reception, which can be determined by turning the equipment off and on, the user is encouraged to try to correct the interference by one or more of the following measures:

- Reorient or relocate the receiving antenna.
- Increase the separation between the equipment and the receiver.
- Connect the equipment to an outlet on a circuit different from that to which the receiver is connected.
- Consult the dealer or an experienced radio/TV technician for help.

3. Package Contents

- BT-05 Control Head Unit
- Control Head Mounting Base
- Two Helmet Speakers
- Boom or Chin-bar Microphone
- Clip-on Mounting Assembly
- USB Charge Cable
- Velcro Pads
- Popsicle Stick
- Owner's Manual



4. Controls and Functions

A. Volume Down – Controls step-down volume adjustment from the linked source, by pressing once momentarily for each step of volume reduction. Press and HOLD for 2 seconds to return to the previous music track.

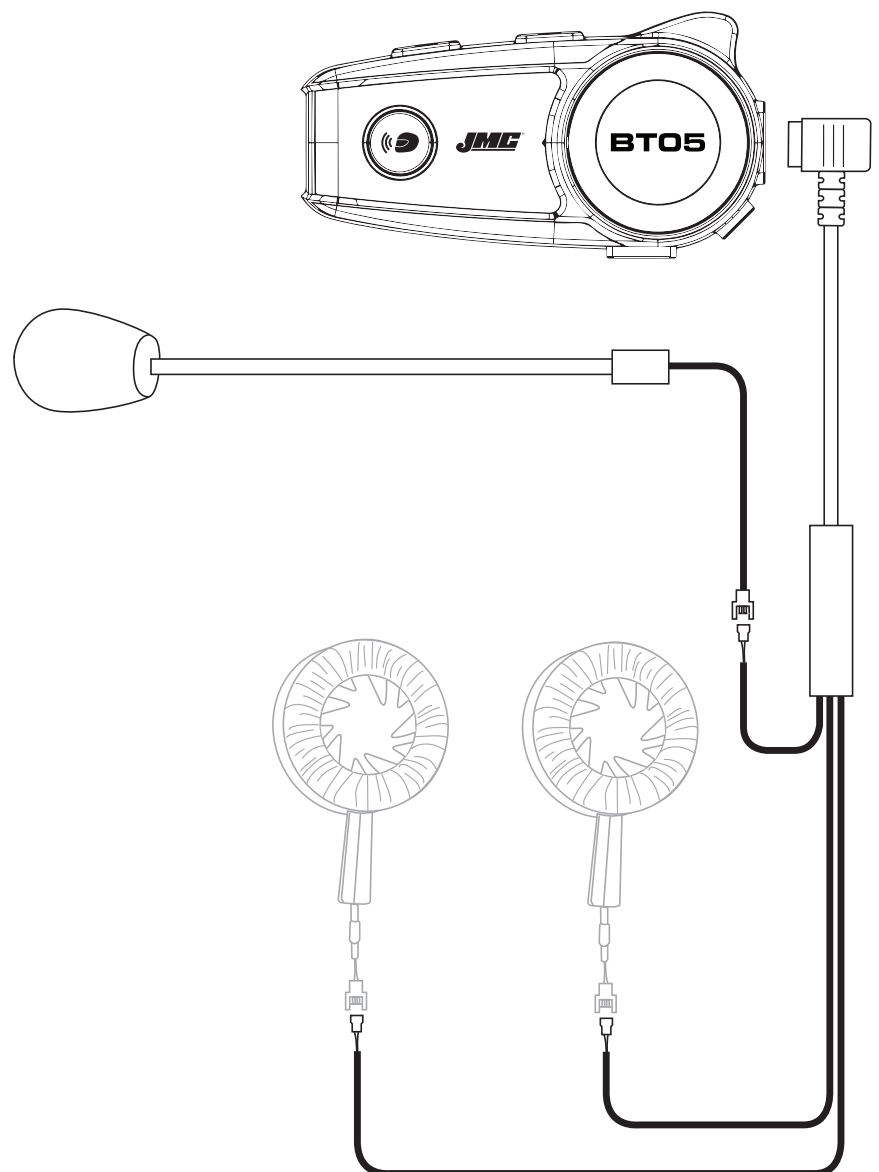
B. Volume Up – Controls step-up volume adjustment from the linked source, by pressing once momentarily for each step of volume increase. Press and HOLD for 2 seconds to track-up to the next music track. Rapid double press to initiate voice command.

C. Intercom Mode Button – Used for turning on/off the Headset together with the Multifunction Button and linking headsets for intercom use.

D. Power Cable Jack – This jack is used to plug-in the charge cable.

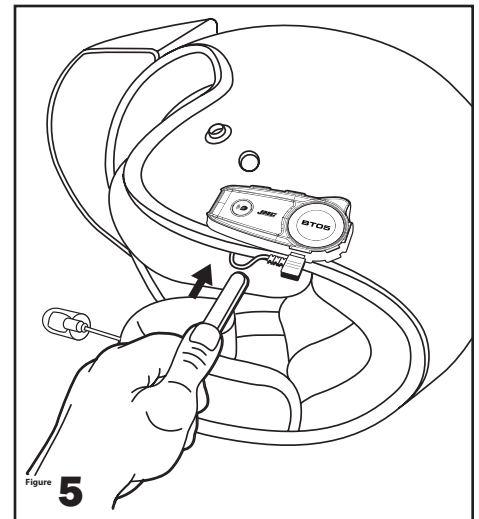
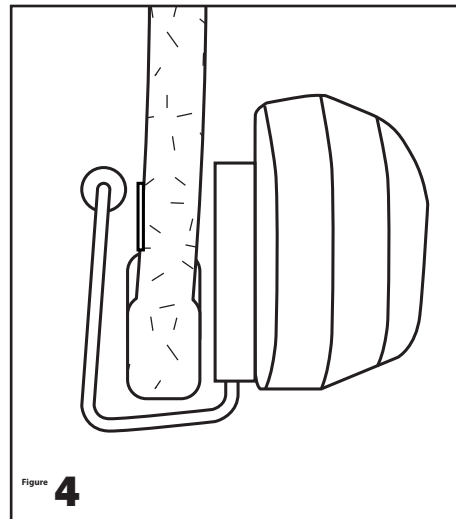
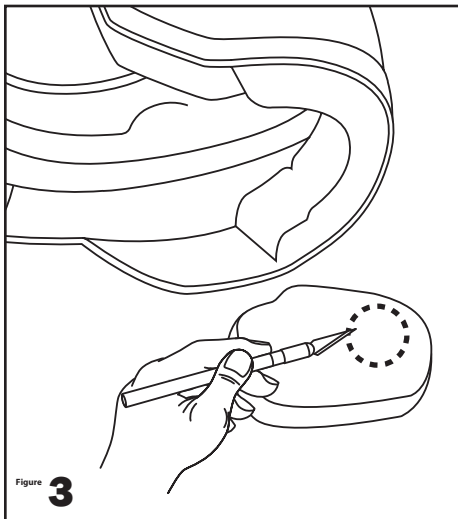
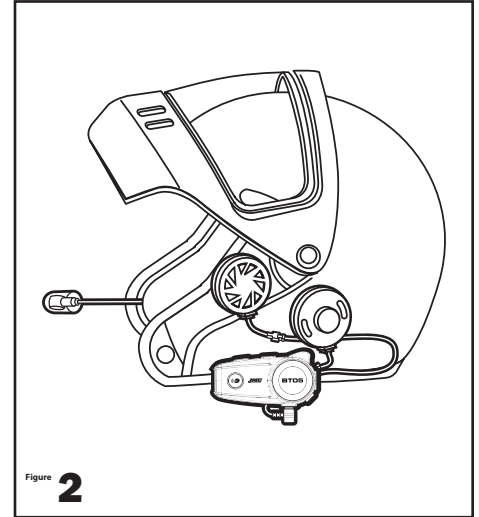
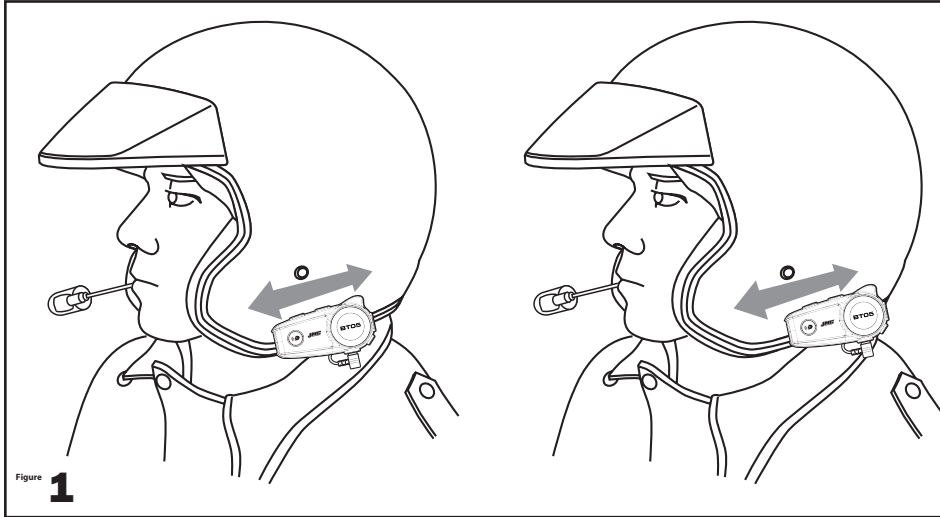
E. Multifunction Button – Used for turning on/off the Headset together with the Intercom mode button and answering/rejecting an incoming phone call. One press to answer call & hold 2 seconds to reject the call. Rapid double button press for last number redial.

F. Headset Connection Port



J&M BT-05 Series Helmet Headset Installation Instructions

WARNING! Helmet speakers may not be legal in all jurisdictions. Check your local laws BEFORE using this product. J & M Corporation cannot control the circumstances surrounding the sale of this equipment, the quality of installation, or the specific helmet into which this equipment is installed. Accordingly, J & M Corporation makes no warranties, expressed or implied, related thereto. A helmet with this equipment installed may not protect the user from injury. The user assumes all liability in conjunction with accidents, injuries or losses of any kind arising out of the use of this product. Additionally, this product should not be used in any way that would impair the user's ability to hear traffic or other noises. Accordingly, the volume should be kept low or off, depending upon the circumstances.



IMPORTANT NOTE: Modern day helmets can present special challenges for wireless headset installation. If you do not feel you are up to the task, you may send your “un-modified” helmet to our factory in Tucson and we will perform the installation for a nominal fee. (Please call first to ensure that we are able to install a headset into your particular brand/model of helmet.)

Installation into most Modular Flip-Up and Open-Face Style Helmets

1. Most modular flip-up and/or open-face style helmets have cheek pads that can be removed. Carefully do so at this time, paying special attention not to break or damage any of the polystyrene parts. (It is important to have the helmet fit and feel the same after the speakers are mounted as it did before the headset was installed.)
2. Using a headset speaker as a guide, mark the circular pieces of styrene to be removed from the back of the ear area of the nose section or the cheek pad. **See Figure 3.** With an Exacto® knife, cut a hole slightly

smaller than the speaker so that the speaker will “press fit” into the hole without damaging the styrene. An airtight seal is necessary to preserve bass response as the sound pressure from the back of the speaker housing should not be allowed to mix with the sound pressure from the front. Also, be careful not to cut or damage the fabric lining.

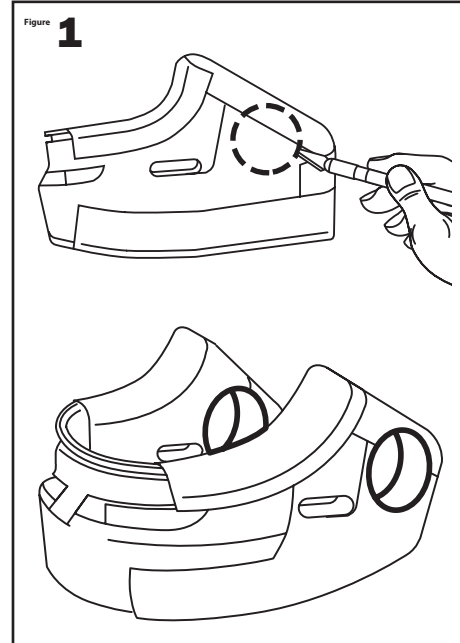
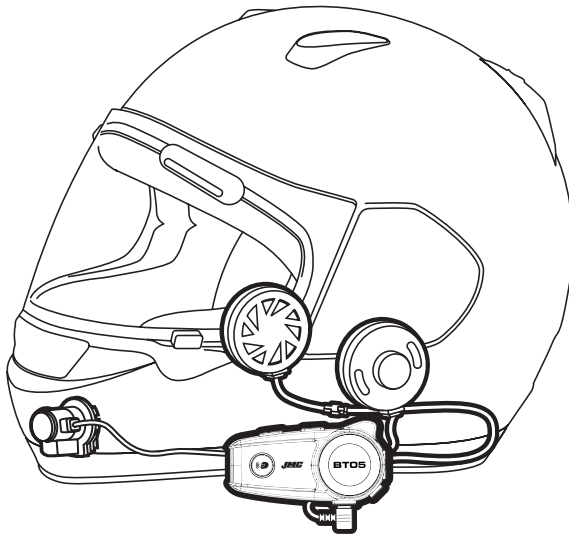
3. Position the boom microphone on the left in side of the helmet so that the microphone lines up with the wearer's mouth. Then remove the backing from the tape on the pre-gummed mounting square and press it into place inside the helmet. (Note: this area should be cleaned with rubbing alcohol prior to sticking the microphone in place.)
4. Slide the mounting clamp into the proper position on the left bottom edge of the helmet, peel the backing off the double-sided tape, press the clamp-on mounting plate assembly firmly into place, then Install the BT-05 module on to the mounting-plate. **See Figure 4.**
5. Using the enclosed wooden tool, carefully push the speaker wires into the gap between the helmet liner and shell. **See Figure 5.**

5B. Installation Instructions For Most Full-Face Style Helmets



J&M BT-04 Series Helmet Headset Installation Instructions

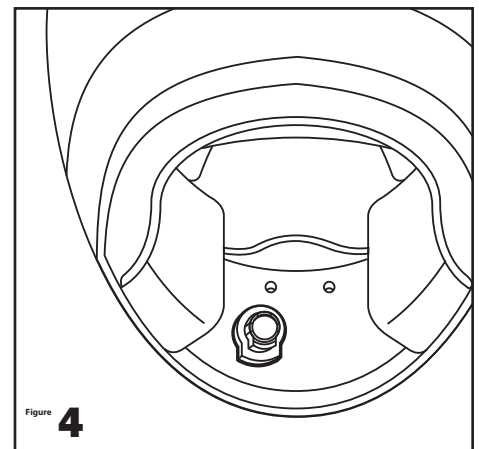
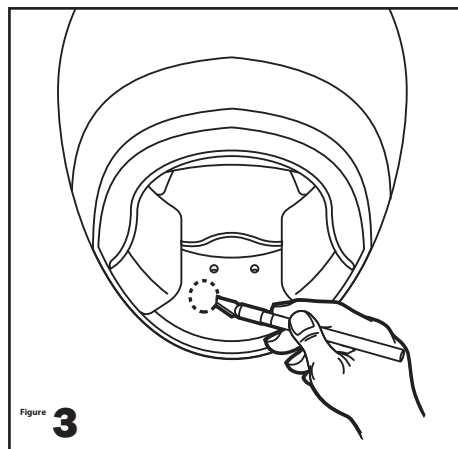
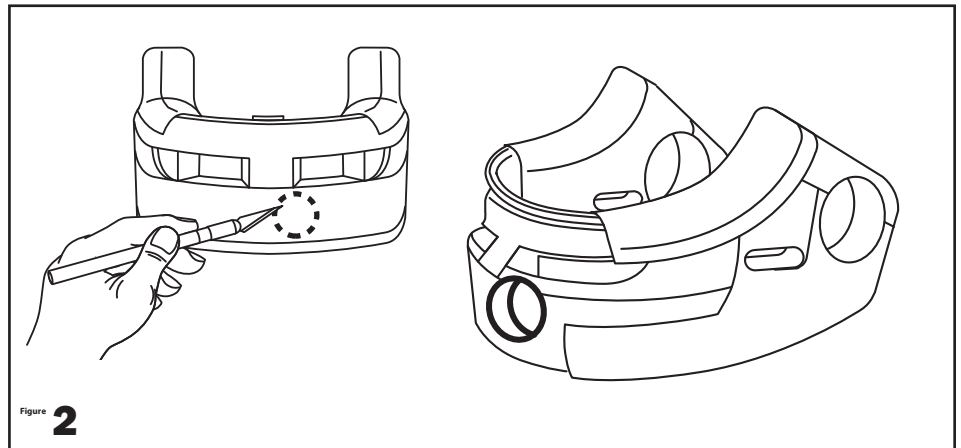
WARNING! Helmet speakers may not be legal in all jurisdictions. Check your local laws BEFORE using this product. J & M Corporation cannot control the circumstances surrounding the sale of this equipment, the quality of installation, or the specific helmet into which this equipment is installed. Accordingly, J & M Corporation makes no warranties, expressed or implied, related thereto. A helmet with this equipment installed may not protect the user from injury. The user assumes all liability in conjunction with accidents, injuries or losses of any kind arising out of the use of this product. Additionally, this product should not be used in any way that would impair the user's ability to hear traffic or other noises. Accordingly, the volume should be kept low or off, depending upon the circumstances.



IMPORTANT NOTE: Modern day helmets can present special challenges for wireless headset installation. If you do not feel you are up to the task, you may send your "un-modified" helmet to our factory in Tucson and we will perform the installation for a nominal fee. (Please call first to ensure that we are able to install a headset into your particular brand/model of helmet.)

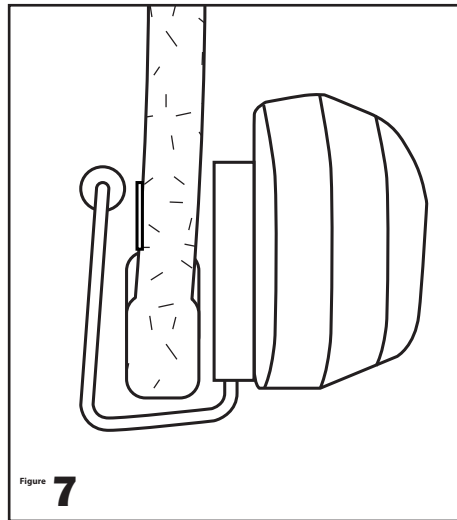
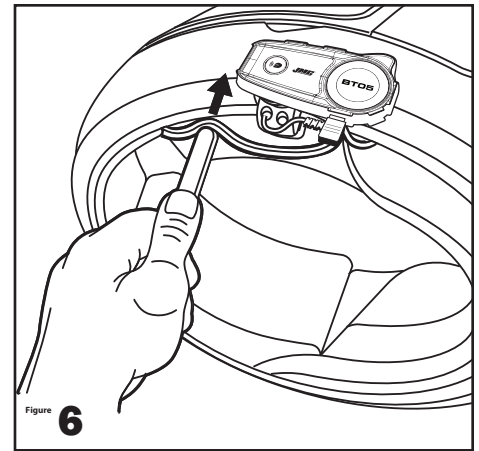
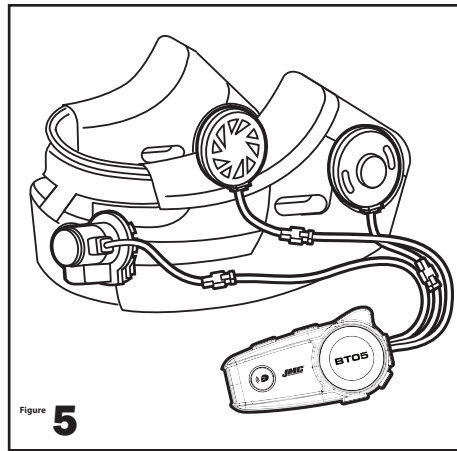
Installation into Full-Coverage Style Helmet

1. Most full coverage-style helmets have cheek pads or a complete nose section that can be removed. Carefully do so at this time, paying special attention so as not to break or damage any of the polystyrene parts.
2. Using a headset speaker as a guide, mark the circular pieces of styrene to be removed from the back of the ear area of the nose section or the cheek pad. **See Figure 1.** With an Exacto® knife, cut a hole slightly smaller than the speaker so that the speaker will "press fit" into the hole without damaging the styrene. An airtight seal is necessary to preserve bass response as the sound pressure from the back of the speaker housing should not be allowed to mix with the sound pressure from the front. Also, be careful not to cut or damage the fabric lining
3. Locate an area in the nose section just to the left of the center to mount the microphone. **See Figures 3 & 4.** Make sure that this placement will not interfere with any venting mechanisms or other parts of the helmet upon re-installation of the nose section.



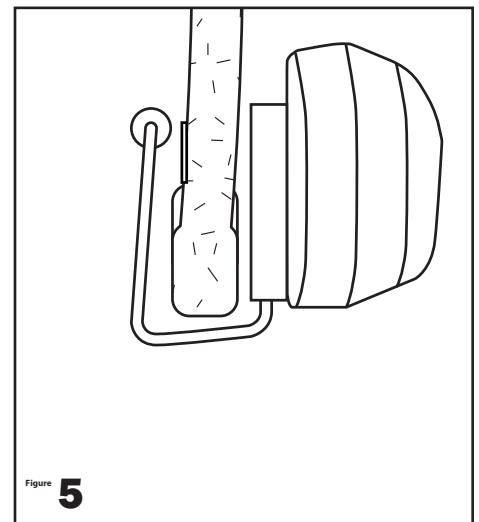
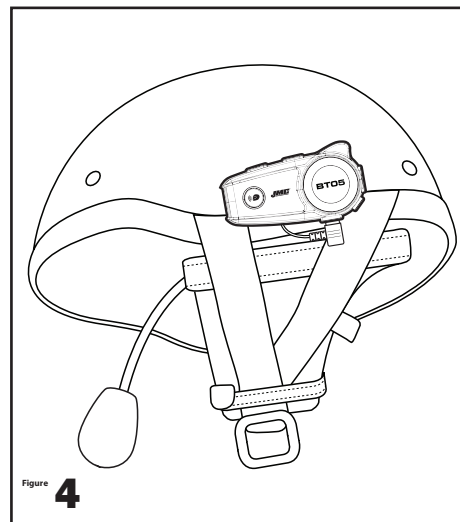
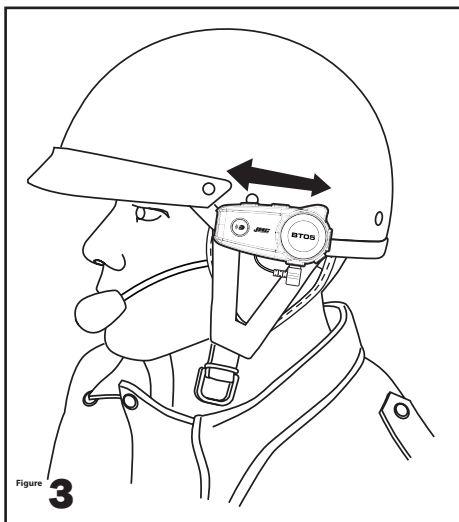
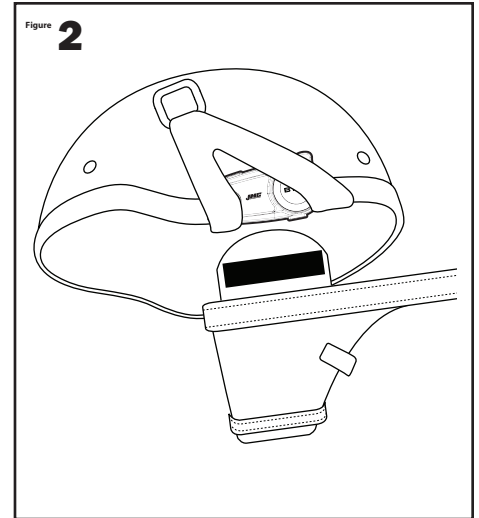
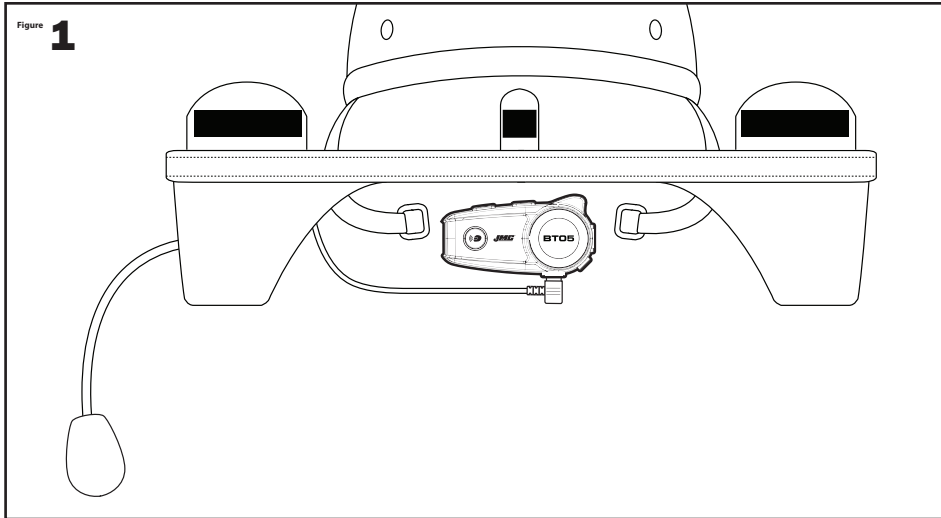
Using an Exacto® Knife, cut out a hole of sufficient size to allow the microphone to be mounted through the nose section and be pressed against the inside shell. **See Figure 3.** Insert the microphone cartridge through the hole from the back side, Install the rubber boot and push the mike back into the hole from the front side

4. Place the speakers into the cheek pads. **See Figure 5.**
5. Clean the inside of the helmet shell where the speakers will be positioned with a cloth dampened with alcohol. Peel the backing from each supplied Velcro pad and press it into the proper position for the speakers to contact when the helmet is re-assembled.
6. Reinstall the nose section and/or cheek pads. Push the speakers firmly against the Velcro® pads.
7. Slide the mounting clamp into the proper position on the left bottom edge of the helmet, peel the backing off the double-sided tape, press the clamp-on mounting plate assembly firmly into place, then Install the BT-05 module on to the mounting-plate. **See Figures 6 & 7.**
8. Using the included wooden tool, carefully push the wires into the gap between the helmet liner and shell. **See Figures 6.**



J&M BT-05 Series Helmet Headset Installation Instructions

WARNING! Helmet speakers may not be legal in all jurisdictions. Check your local laws BEFORE using this product. J & M Corporation cannot control the circumstances surrounding the sale of this equipment, the quality of installation, or the specific helmet into which this equipment is installed. Accordingly, J & M Corporation makes no warranties, expressed or implied, related thereto. A helmet with this equipment installed may not protect the user from injury. The user assumes all liability in conjunction with accidents, injuries or losses of any kind arising out of the use of this product. Additionally, this product should not be used in any way that would impair the user's ability to hear traffic or other noises. Accordingly, the volume should be kept low or off, depending upon the circumstances.



Installation into Shorty Style Helmets

1. Install the headset by first inserting the small center tab on the headset into the back of your helmet between the interior and outer shell of your helmet. **See Figure 1.**
2. Insert the large tab on the left side of the headset into your helmet in the same manner making sure that the headset tab is on the inside of the retention strap on your helmet. **See Figure 2.**
3. Repeat this procedure for the right side.
4. Reposition both sides of the headset as necessary so that both speakers are correctly positioned over your ears.
5. Slide the clamp into the proper position on the left bottom edge of the helmet shell, peel the backing off the double-sided tape, press the clamp mounting base into place, then Install the Bluetooth module on to the mounting-plate. See Figures 3, 4 & 5.
6. Complete the installation by plugging the headset into the BT-05 module and then routing both helmet straps through the small retention loops on both sides of the headset. **See Figure 4.**

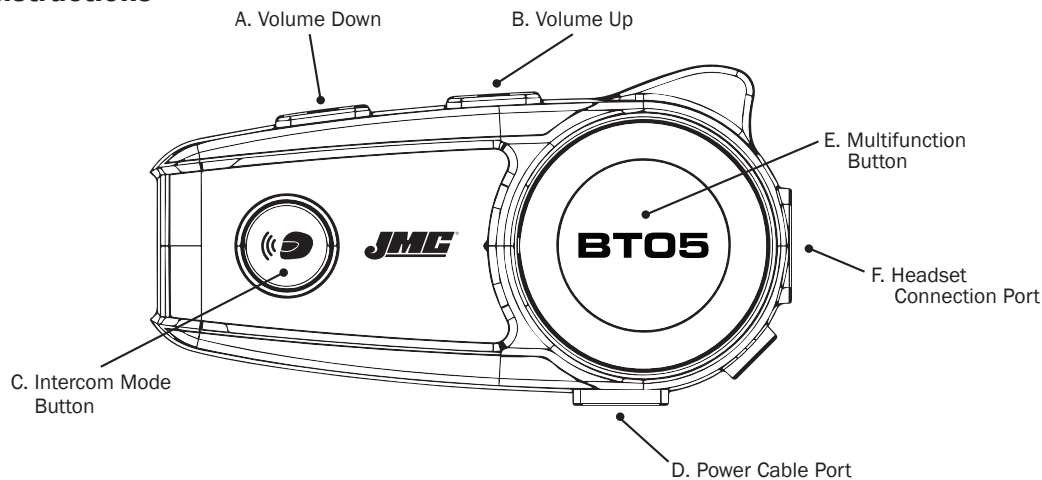
6. General Operation of the BT-05 Control

1. To charge the unit, plug the supplied USB charge cable into the Charge Port (D). The red LED will turn on to indicate that the Battery is charging. The red LED will turn off when the battery is fully charged and ready for use. The charger can also be left plugged into the unit for extended periods of time, without overcharging the battery.
2. To turn on the BT-05, press and Hold the Intercom Mode Button (C) together with the Multifunction Button (F) for about 4 seconds. The Blue LED will then slowly flash.
3. To put the unit into pairing mode, turn on the unit, then press and hold the Multifunction Button (F) for 4 seconds or until the red and blue LED alternately flash rapidly, at which point the BT-05 is now in pairing mode.
4. For volume-up (B) adjustments press once momentarily for each step of volume increase. Press and HOLD for 2 seconds to track-up to the next music track. Rapid double press to initiate voice command.
5. For volume-down (A) adjustments press once momentarily for each step of volume decrease. Press and HOLD for 2 seconds to return to the previous music track.
6. Press the multifunction button (F) to turn on or turn off the Headset together with the Intercom mode button. One press to answer call and hold 2 seconds to reject the call. Rapid double button press for last number redial.
7. To pause or restart the music, single press on the multifunction button(F).
8. Rapid double press on the multifunction button (F) for last number redial.
9. Short press volume-up (B) and volume-down (A) buttons simultaneously to verify battery power level.

Supported Bluetooth Profiles:

- HSP (Headset Profile)
- HFP (Handsfree Profile)
- A2DP (Advanced Audio Distribution Profile ((Streaming Stereo))
- AVRCP (Audio Video Remote Control Profile)
- JMMIP (Intercom Profile)

7. Operation Instructions



NOTE: Before using the BT-05, its internal lithium/polymer power cell should be charged for at least 3 hours.

Pairing and Operation with a Bluetooth enabled Cell/Smart Phone.

1. To turn on the BT-05, press and Hold the Intercom Mode Button (C) together with the Multifunction Button (F) for about 4 seconds. The Blue LED will then slowly flash.
2. Put the BT-05 control head into pairing mode by pressing and holding down on the multifunction button (F) for approximately 4 seconds until you see a rapid red/blue alternating flash. Then select the settings menu option on the cell phone, turn on the Bluetooth section and search for devices. When JMC BT-05 is displayed on your screen, select it and your cell phone will pair with the HSBT-05.
3. When receiving an incoming call, the incoming call indicator "alert tone" will be heard in the headset speakers. To answer the incoming call, momentarily depress the multifunction button (F).
4. Momentarily press the volume-up (B) or volume-down (A) buttons to adjust the phone volume during the cell phone conversation. Additional cell phone volume adjustments can also be made on the cell phone itself, but during actual conversation only.
5. To terminate the phone call from the BT-05, depress the multifunction button (F) briefly or just wait until the party that you were speaking with to hang up.

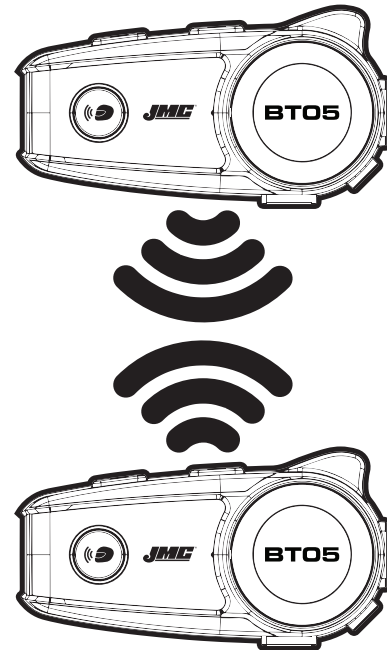
6. To utilize "voice command" dialing, (the cell phone must support this feature), rapid double button press the volume UP button (B) and listen for the voice/tone prompt from the cell phone. To redial the last number called, press the multifunction button (F) twice rapidly.
7. To hear stereo music files and/or navigation commands from your smart-phone/multimedia device into the headset speakers, refer to the operations manual for your particular unit, that concern stop/start, play/pause, navigation prompts etc. when using a linked Bluetooth headset.

Pairing and Operation with a Bluetooth Enabled Cell/Smart Phone simultaneously with a Bluetooth Stereo Dongle or MP3 player.

1. Once your smartphone is paired with the BT-05 then power-on the stereo dongle or MP3 player & put it into pairing mode. Put the BT-05 into a pairing mode by pressing and holding down on the multifunction button (F) for approximately 4 seconds until you see a rapid red/blue alternating flash. Both the MP3 player or stereo dongle and the BT-05 LED's will be flashing rapidly until the two unit's pair and the LED's flash at a slower rate.
2. If you wish to pause/play the music while riding, briefly depress the multifunction button (F).

Pairing and Operation of the BT-05 Headsets in Helmet-to-Helmet Intercom Mode.

1. Press and hold intercom mode button (C) and multifunction button (F) together until both headsets turn on.
2. Put BT-05 #1 into intercom linking mode by depressing & holding the multifunction button (F) for approximately 4 seconds until the LED rapidly alternates between red/blue flashing.
3. Now put BT-05 #2 into intercom linking mode by depressing & holding the multifunction button (F) for approximately 4 seconds until the LED rapidly alternates between red/blue flashing.
4. Now press one of the two intercom buttons momentarily and wait for headsets to pair together and both red/blue flashing turn to a slow pulsing blue on each headset. **Important Note:** A J&M BT-03 or BT-04 headset will also pair to the BT-05 using the linking instructions above.
5. Now momentarily press the intercom mode button (C) once on headset #1 to deactivate intercom mode, press again to activate intercom mode. **Important Note:** If one of the headsets linked together for intercom mode is a BT-03 or BT04, only the BT-05 can activate or deactivate intercom mode.



Pairing and Operation with a Bluetooth Enabled GPS Command Center.

1. Put the BT-05 control head into pairing mode by pressing and holding down on the multifunction button (F) for approximately 4 seconds until you see a rapid red/blue alternating flash.
2. From the menu on the GPS command center, go into the Bluetooth section and search for "headset". When JMC BT-05 is displayed on your screen and you are asked for a passkey, enter: 0000. Your device should now pair with the BT-05.
3. If you wish to use headset cell-phone functions simultaneously with your GPS command center, you will need to link the cell phone direct to the GPS unit as per the linking/operation instructions included with your particular unit.
4. If any one of the BT-05 headsets receives an incoming navigation command from the GPS/or cell-phone call, the helmet-to-helmet intercom operation will be interrupted. Once the navigation command or cell-phone call has been terminated from the GPS, the intercom, (if active) will return.
5. Use the volume-up (B) or volume-down (A) buttons on the headset to adjust the music volume, navigation command volume and/ or cell/ smart phone volume levels.
6. Additional music, navigation command and cell phone volume adjustments can usually be made inside the GPS command center itself, but the flexibility of these adjustments depends totally upon the particular brand/model of the GPS unit you are using.



WARRANTY AND REPAIR INFORMATION

TWO YEAR LIMITED WARRANTY In order to facilitate the servicing of this warranty, the Warranty Registration Form should be filled out and returned within 10 days of the date of purchase. However, return of the Warranty Registration Form is not a precondition of this warranty, and this Warranty will be observed by **J&M CORPORATION** whether or not the Warranty Registration Form is returned, on the condition that other satisfactory evidence of the date of the original purchase is provided to **J&M CORPORATION**.

WHO PROVIDES THE WARRANTY? This warranty is provided by **J&M CORPORATION**.

WHO IS PROTECTED? This warranty is extended only to the original owner of this J&M CORPORATION product and may not be transferred or assigned.

WHAT IS COVERED AND HOW LONG? This warranty covers all defects in material or workmanship of our product for a period of 2 years from date of original retail purchase. At its option, **J&M CORPORATION** will repair or replace any defective part(s) or equipment.

The provisions of the warranty shall not apply to any unit which has been subjected to misuse, neglect, incorrect mechanical or electrical installation, unauthorized modifications, accident, nor to units which have been repaired or altered outside of our factory.

PROCEDURE FOR OBTAINING PERFORMANCE OF WARRANTY In the event that the product does not conform to this warranty, the product should be shipped prepaid to the **J&M CORPORATION** service facility. Transportation charges, insurance fees, and labor costs for shipment, removal, or reinstallation of our product are not covered by this warranty. Loss or damage in shipment is the sole responsibility of the freight carrier.

FOR YOUR INFORMATION Repair as provided under this warranty is the exclusive remedy of the consumer. **J&M CORPORATION** shall not be liable for any incidental or consequential damages or for breach of any express or implied warranty on this product. Except to the extent prohibited by applicable law, any implied warranty of merchantability or fitness for a particular purpose on this product is limited in duration to the duration of the warranty. Some states do not allow the exclusion or limitation of incidental or consequential damages, or allow limitations on how long an implied warranty lasts, so the above limitations or exclusion may not apply to you. This warranty gives you specific legal rights which vary from state to state.

J&M CORPORATION reserves the right to make changes in design and to make improvements in its products without the obligation to incorporate the changes or improvements in any of its previously manufactured products.

J&M CORPORATION has not authorized anyone to make representations or warranties other than the warranty contained herein.

The above warranty is effective for all products manufactured after 10/01/86.

NON-WARRANTY REPAIR RATES **J&M CORPORATION** reserves the right to change the labor repair rates without prior notice. At the time of this printing the out-of-warranty repair is \$40 per hour for labor only. However, the customer is advised to verify the current rate when he/she calls customer service to obtain the return authorization number.

FACTORY SERVICE ADDRESS J&M Corporation, 1747 E 23RD ST, Tucson, Arizona, 85713, U.S.A. Tel: 1-520-624-7000 audio@jmc corp.com www.jmc corp.com

CUSTOMER SERVICE NUMBER 1-520-624-7000

Thank you for the confidence you have shown in J&M Corporation by purchasing one of our innovative products.

If you have any question or comments about this product, you may contact us at USA 1-520-624-7000 Monday thru Friday, 8:00AM thru 5:00PM Mountain Standard Time.



1747 E 23RD ST Tucson, AZ
85713 U.S.A.

Tel 1-520-624-7000

Website: <http://www.jmc corp.com>

E-mail: audio@jmc corp.com



WARRANTY REGISTRATION FORM Please fill out this card completely and mail it immediately after purchase. Please be sure that your zip code and serial number (if applicable) are legible. This will help us to serve you better.

(PLEASE PRINT)

Name _____

Address _____

City _____ State _____ Zip _____

Motorcycle Other E-mail _____

Make _____ Model _____ Year _____

Product part number _____

Serial number (if applicable) _____

Date of purchase _____

Name of dealer it was purchased from _____



Mail to:
JM Corporation 1747 E
23RD ST Tucson, AZ
85713
U.S.A.