

**J&M Saddlebag-Lid Kit w/
ROKKER® XXR 5X7" Speakers
& Plug-n-play Wiring Harnesses
Included for 2014-2020
Harley® Baggers**

#HSBL-145X7-XXR

**Installation
Instructions**

Product Overview



This complete custom saddlebag-lid kit with ROKKER XXR 5X7" speakers, custom grills & Harley spec plug-n-play wiring harnesses included, has been designed for the 2014-2020 Harley® Bagger saddlebags.

Saddlebag lids are finished black/dark gray primer color and can be special ordered in most standard 14-19 Harley factory colors for an extra \$279.99.

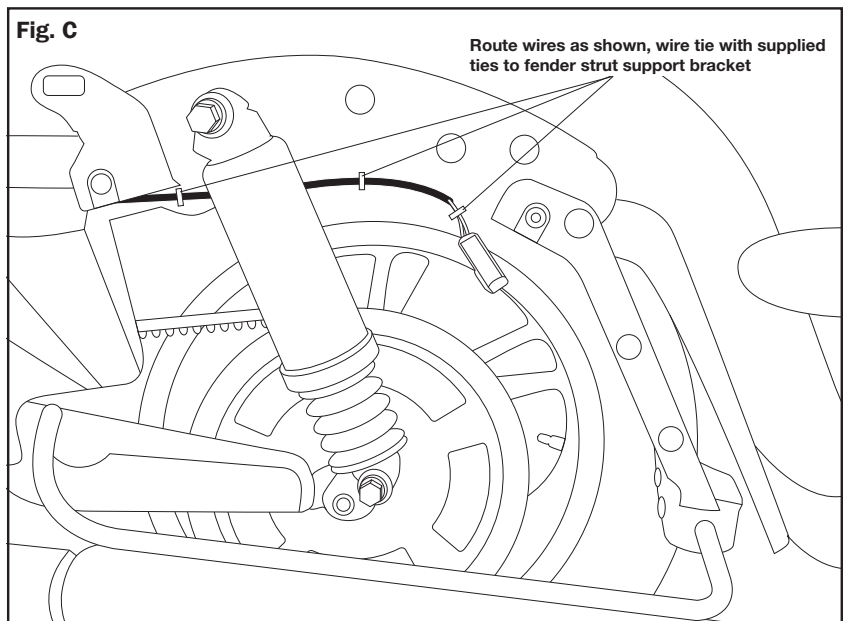
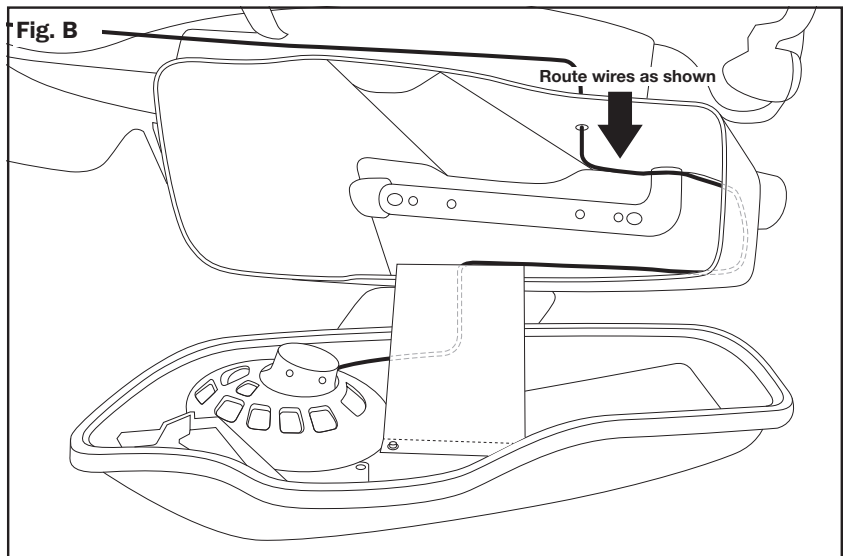
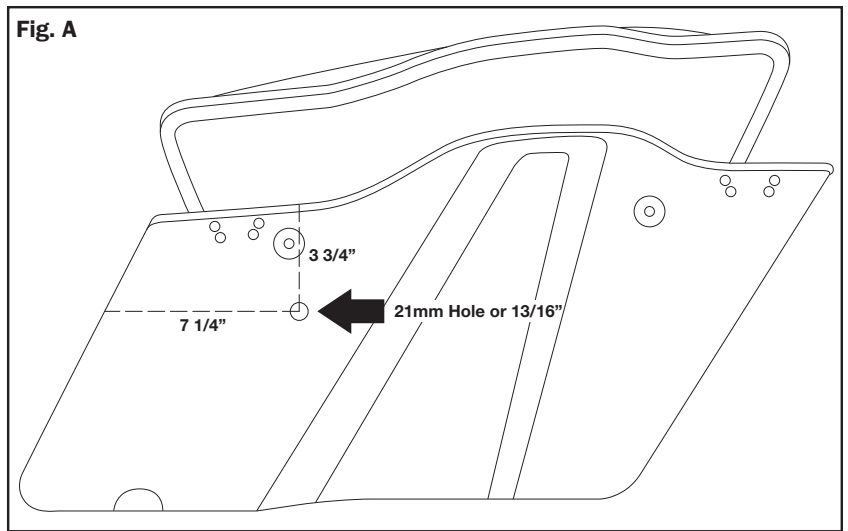
This mount-from-the-top speaker/lid design is identical to factory Harley and makes for a water tight seal under the speaker itself, so that moisture is never allowed to enter the saddlebag.

J&M's NEW ROKKER XXR series 5X7" speakers are spec'd at 2 ohms impedance and an impressive 350 watts maximum power (200w RMS - 91db sensitivity), and are weatherproof from the top with their one piece carbon fiber cone and bridge mounted high-output dome tweeter.

These are THE most powerful 5X7" speakers you can buy for your Harley and the on-highway performance will exceed that of most 6X9 speakers available in the marketplace today.

Installation Instructions

1. If you are going to initially install these saddlebag lids without painting them, clean the underside of the lid seat area with alcohol, and apply the molded rubber seal all the way around the underside lip of each saddlebag lid. (then skip to step #3)
2. If you going to have them painted prior to installation, remove first the speakers and grills from each lid and have them painted to the color of your choice. Then install the molded rubber seal prior to continuing on to step #3.
3. Remove both left and right saddlebag lids, tether fasteners and latch/hinge assemblies from the stock saddlebag lids.
4. Remove both saddlebags, side covers, seat and fuel tank.
5. Carefully drill a 21mm or 13/16 diameter hole on the backside of the left saddlebag in the location shown. **Diagram A**
6. Install the provided rubber grommet into the hole, with pointed end facing towards wheel/tire. Then from the inside of the saddlebag, route the left side speaker harness (blue-orange/ blue grey). As per **Diagram B**
7. Connect the wire terminal plug to the connector socket of the J&M 5X7" ROKKER XXR speaker and route the speaker harness underneath the saddlebag lid tether strap and along the inside of the saddlebag as shown. **Diagram B**
8. Connect the forward section of the saddlebag lid speaker harness to the in-line wire plug and route the harness under the side cover along the frame, under the fuel tank, and into the fairing. Secure the harness using the provided tie-straps. **Diagram C**
9. Reinstall left saddlebag lid, tether fasteners and latch/hinge assembly, **SUBSTITUTING** the shorter bolt included in the hardware kit with the longer one from the stock lid assembly.
10. Repeat the entire process for the right-side saddlebag.
11. Reinstall the fuel tank, seat, and side covers.
12. Then reattach both left and right side saddlebags.



WARRANTY AND REPAIR INFORMATION

TWO YEAR LIMITED WARRANTY In order to facilitate the servicing of this warranty, the Warranty Registration Form should be filled out and returned within 10 days of the date of purchase. However, return of the Warranty Registration Form is not a precondition of this warranty, and this Warranty will be observed by **J&M CORPORATION** whether or not the Warranty Registration Form is returned, on the condition that other satisfactory evidence of the date of the original purchase is provided to **J&M CORPORATION**.

WHO PROVIDES THE WARRANTY? This warranty is provided by J&M CORPORATION.

WHO IS PROTECTED? This warranty is extended only to the original owner of this J&M CORPORATION product and may not be transferred or assigned.

WHAT IS COVERED AND HOW LONG? This warranty covers all defects in material or workmanship of our product for a period of 2 years from date of original retail purchase. At its option, J&M CORPORATION will repair or replace any defective part(s) or equipment.

The provisions of the warranty shall not apply to any unit which has been subjected to misuse, neglect, incorrect mechanical or electrical installation, unauthorized modifications, accident, nor to units which have been repaired or altered outside of our factory.

PROCEDURE FOR OBTAINING PERFORMANCE OF WARRANTY In the event that the product does not conform to this warranty, the product should be shipped prepaid to the **J&M CORPORATION** service facility. Transportation charges, insurance fees, and labor costs for shipment, removal, or reinstallation of our product are not covered by this warranty. Loss or damage in shipment is the sole responsibility of the freight carrier.

FOR YOUR INFORMATION Repair as provided under this warranty is the exclusive remedy of the consumer. **J&M CORPORATION** shall not be liable for any incidental or consequential damages or for breach of any express or implied warranty on this product. Except to the extent prohibited by applicable law, any implied warranty of merchantability or fitness for a particular purpose on this product is limited in duration to the duration of the warranty. Some states do not allow the exclusion or limitation of incidental or consequential damages, or allow limitations on how long an implied warranty lasts, so the above limitations or exclusion may not apply to you. This warranty gives you specific legal rights which vary from state to state.

J&M CORPORATION reserves the right to make changes in design and to make improvements in its products without the obligation to incorporate the changes or improvements in any of its previously manufactured products.

J&M CORPORATION has not authorized anyone to make representations or warranties other than the warranty contained herein. The above warranty is effective for all products manufactured after 10/01/86.

NON-WARRANTY REPAIR RATES **J&M CORPORATION** reserves the right to change the labor repair rates without prior notice. At the time of this printing the out-of-warranty repair is \$80 per hour for labor only. However, the customer is advised to verify the current rate when he/she calls customer service to obtain the return authorization number.

FACTORY SERVICE ADDRESS J&M Corporation, 1415 S. Cherry Avenue, Tucson, Arizona, 85713, U.S.A. Tel: 1-800-358-0881 audio@jmcorp.com www.jmcorp.com

CUSTOMER SERVICE NUMBER 1-800-358-0881

Thank you for the confidence you have shown by purchasing one of J&M's innovative products. If you have any questions during the installation, or require further assistance, you may call us at USA 1-520-624-7000

Monday thru Friday 8:00 AM to 5:00 PM Mountain Standard Time,



114 S. Cherry Avenue
Tucson, Arizona U.S.A.
Tel: (800) 358-0881
www.jmcorp.com
E-mail: audio@jmcorp.com

WARRANTY REGISTRATION FORM

Please fill out this card completely and mail it immediately after purchase. Please be sure that your zip code and serial number (if applicable) are legible. This will help us to serve you better.

(PLEASE PRINT)

Name _____

Address _____

City _____ State _____ Zip _____

Motorcycle Other E-mail _____

Make _____ Model _____ Year _____

Product part number _____

Serial number (if applicable) _____

Date of purchase _____

Name of dealer it was purchased from _____



Mail to:
J&M Corporation
1415 S. Cherry Avenue
Tucson, AZ 85713 U.S.A.