



**JMC ROKKER® XRP 6.58”  
Fairing Speaker Kit w/  
High-Output PEI Tweeter  
for 2014-2023 Harley®  
StreetGlide/Ultra**

**#HCRK-6582TW-XRP**

**Installation  
Instructions**

## Product Overview

J&M's ROKKER XRP series 6.58" speakers designed as exact size component/replacements for the stock 6.5" Harley fairing speakers as installed on the 2014-2023 Harley StreetGlide, Ultra, Ultra Ltd or Tri-Glide.

Spec'd at 2 ohms impedance and 200 watts maximum input (130w RMS - 91db sensitivity), these new ROKKER speakers provide excellent on-highway performance.

Lightweight waterproof woven-fiber driver cone with super-rigid metal basket design, along with the front mounted PEI dome tweeter.

Lite-weight Neodymium magnet structure, specially coated to maintain flux-strength integrity even at extreme operating temperatures.

Mounting hole pattern and spade electrical connections are exactly the same as the factory specification, this is a total plug-and-play no-modification solution complete with easy-to-follow installation instructions.

These new J&M ROKKER Performance series speakers will perform extremely well when connected direct to the Harley factory radio or with a small to medium sized accessory amplifier.

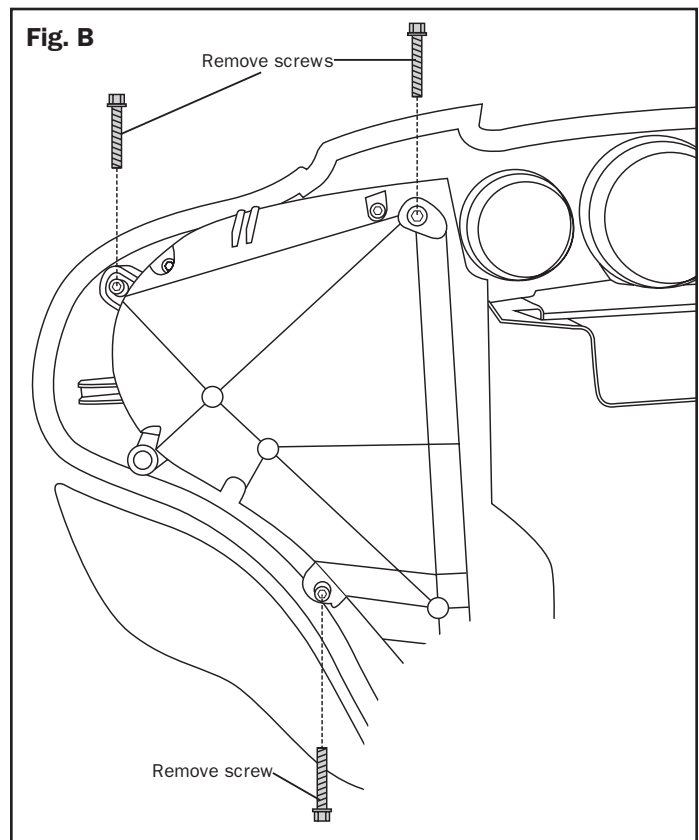
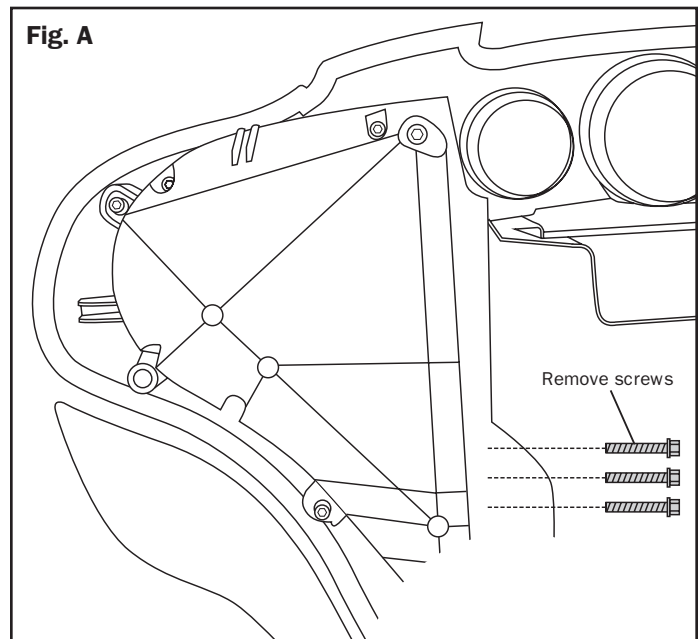
## Installation and Instructions

1. Remove the windshield and outer fairing clamshell completely.

**Important Note: If the bike is equipped with the Harley CB radio module, ensure that the CB module is removed before removing the applicable speaker pod assembly.**

### RIGHT SPEAKER

2. Remove the three 7/16 attachment screws from the inner bottom edge of the speaker pod. **(Figure A)**
3. Remove three 3/16 Allen head screws on the outside edges of the speaker pod. **(Figure B)**
4. Remove the two 5/32 Allen head screws from top edge of metal mounting tray. **(Figure C)**
5. Unplug the wire connection for the cigarette lighter socket from the speaker pod.
6. Remove the pod from the fairing.
7. Remove the speaker from the pod by removing the 4 retaining screws.
8. Unplug the speaker wires from the speaker and set aside.
9. Remove the stock grill from the inner fairing by removing the 3 attachment screws. **VERY IMPORTANT:** Discard these screws as they will not be used again. **(Figure D)**
10. Install the new 'J&M grills using the (3) #12 X 1/2" counter-sunk self-tapping screws provided. **VERY IMPORTANT:** Do Not use the stock Harley screws to attach the new 'J&M grills, or the speaker pods will not reinstall properly.



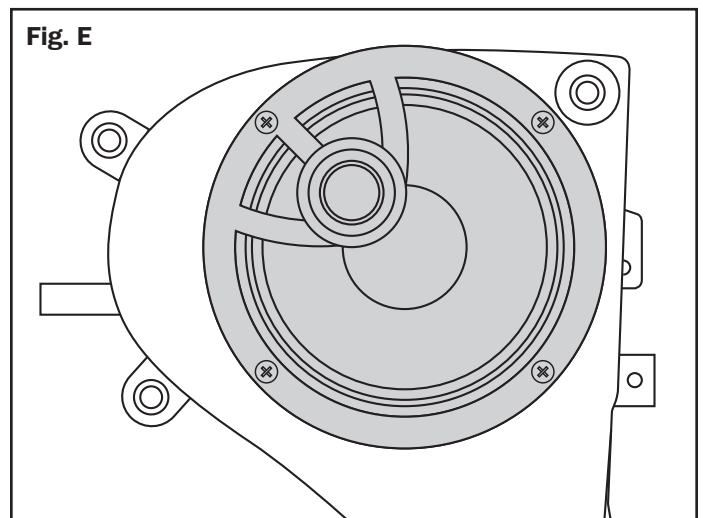
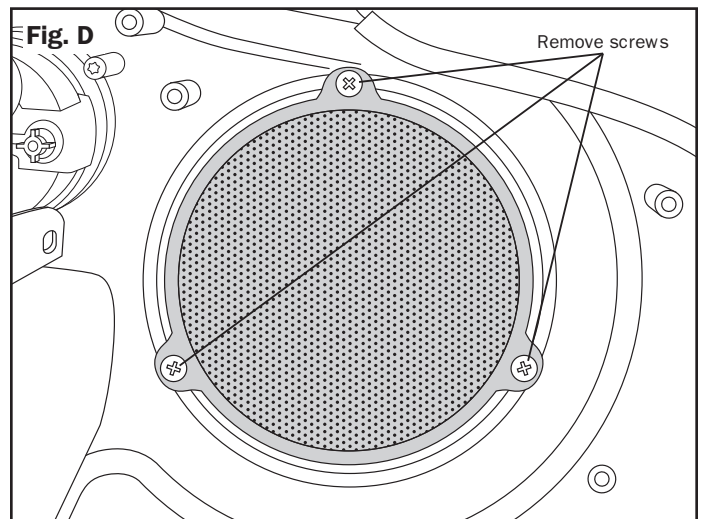
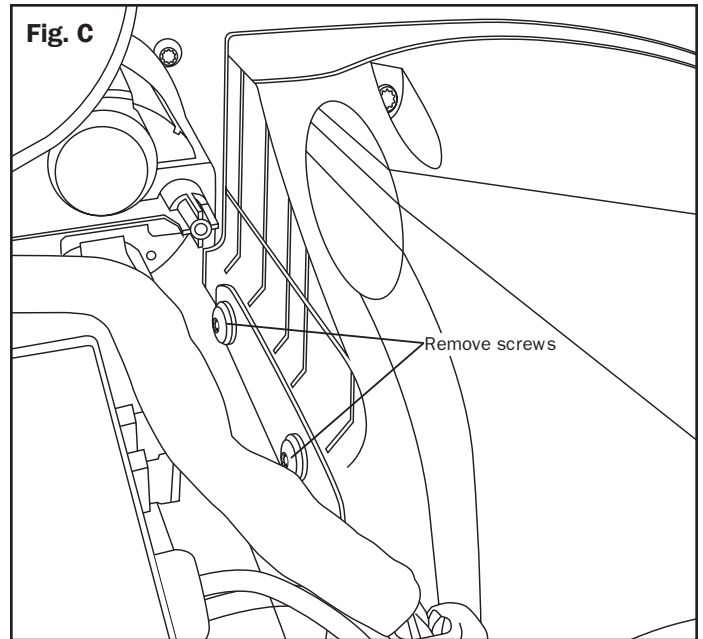
11. Install the new 6.58" ROKKER XRP speaker using the original speaker attachment screws and plug the factory wire harness spade connectors to the back of the new ROKKER speaker. (Wiggle the spade connector back and forth as necessary to make sure that it seats all the way into the spade terminal).

12. Ensure that the speaker is placed into the pod with the tweeter pointed to the upper, outer corner. **(Figure E)**

13. Repeat steps 2 through 11 for the opposite side speaker.

**Important Note: If the bike is equipped with the Harley CB radio module, ensure that the CB module is removed before removing the applicable speaker pod assembly.**

14. Test each speaker for proper operation before reassembling the fairing.



Thank you for the confidence you have shown in J&M Corporation by purchasing one of our innovative products.

If you have any question or comments about this product, you may contact us at USA 1-520-624-7000 Monday thru Friday, 8:00AM thru 5:00PM Mountain Standard Time.



1747 E 23rd St

Tucson, AZ 85713 U.S.A.

Tel (520) 624-7000

Website: <http://www.jmcorp.com>

E-mail: [audio@jmcorp.com](mailto:audio@jmcorp.com)

## WARRANTY AND REPAIR INFORMATION

**TWO YEAR LIMITED WARRANTY** In order to facilitate the servicing of this warranty, the Warranty Registration Form should be filled out and returned within 10 days of the date of purchase. However, return of the Warranty Registration Form is not a precondition of this warranty, and this Warranty will be observed by **J&M CORPORATION** whether or not the Warranty Registration Form is returned, on the condition that other satisfactory evidence of the date of the original purchase is provided to **J&M CORPORATION**.

**WHO PROVIDES THE WARRANTY?** This warranty is provided by **J&M CORPORATION**.

**WHO IS PROTECTED?** This warranty is extended only to the original owner of this J&M CORPORATION product and may not be transferred or assigned.

**WHAT IS COVERED AND HOW LONG?** This warranty covers all defects in material or workmanship of our product for a period of 2 years from date of original retail purchase. At its option, **J&M CORPORATION** will repair or replace any defective part(s) or equipment.

The provisions of the warranty shall not apply to any unit which has been subjected to misuse, neglect, incorrect mechanical or electrical installation, unauthorized modifications, accident, nor to units which have been repaired or altered outside of our factory.

**PROCEDURE FOR OBTAINING PERFORMANCE OF WARRANTY** In the event that the product does not conform to this warranty, the product should be shipped prepaid to the **J&M CORPORATION** service facility. Transportation charges, insurance fees, and labor costs for shipment, removal, or reinstallation of our product are not covered by this warranty. Loss or damage in shipment is the sole responsibility of the freight carrier.

**FOR YOUR INFORMATION** Repair as provided under this warranty is the exclusive remedy of the consumer. **J&M CORPORATION** shall not be liable for any incidental or consequential damages or for breach of any express or implied warranty on this product. Except to the extent prohibited by applicable law, any implied warranty of merchantability or fitness for a particular purpose on this product is limited in duration to the duration of the warranty. Some states do not allow the exclusion or limitation of incidental or consequential damages, or allow limitations on how long an implied warranty lasts, so the above limitations or exclusion may not apply to you. This warranty gives you specific legal rights which vary from state to state.

**J&M CORPORATION** reserves the right to make changes in design and to make improvements in its products without the obligation to incorporate the changes or improvements in any of its previously manufactured products.

**J&M CORPORATION** has not authorized anyone to make representations or warranties other than the warranty contained herein.

The above warranty is effective for all products manufactured after 10/01/86.

**NON-WARRANTY REPAIR RATES** **J&M CORPORATION** reserves the right to change the labor repair rates without prior notice. At the time of this printing the out-of-warranty repair is \$40 per hour for labor only. However, the customer is advised to verify the current rate when he/she calls customer service to obtain the return authorization number.

**FACTORY SERVICE ADDRESS** J&M Corporation, 1747 E 23RD ST, Tucson, Arizona, 85713, U.S.A. Tel: 1-520-624-7000 audio@jmc corp.com www.jmc corp.com

**CUSTOMER SERVICE NUMBER 1-520-624-7000**

Thank you for the confidence you have shown in J&M Corporation by purchasing one of our innovative products.

If you have any question or comments about this product, you may contact us at USA 1-520-624-7000 Monday thru Friday, 8:00AM thru 5:00PM Mountain Standard Time.



1747 E 23RD ST Tucson, AZ  
85713 U.S.A.

Tel 1-520-624-7000

Website: <http://www.jmc corp.com>

E-mail: audio@jmc corp.com



**WARRANTY REGISTRATION FORM** Please fill out this card completely and mail it immediately after purchase. Please be sure that your zip code and serial number (if applicable) are legible. This will help us to serve you better.

(PLEASE PRINT)

Name \_\_\_\_\_

Address \_\_\_\_\_

City \_\_\_\_\_ State \_\_\_\_\_ Zip \_\_\_\_\_

Motorcycle  Other  E-mail \_\_\_\_\_

Make \_\_\_\_\_ Model \_\_\_\_\_ Year \_\_\_\_\_

Product part number \_\_\_\_\_

Serial number (if applicable) \_\_\_\_\_

Date of purchase \_\_\_\_\_

Name of dealer it was purchased from \_\_\_\_\_



Mail to:  
JM Corporation 1747 E  
23RD ST Tucson, AZ  
85713  
U.S.A.