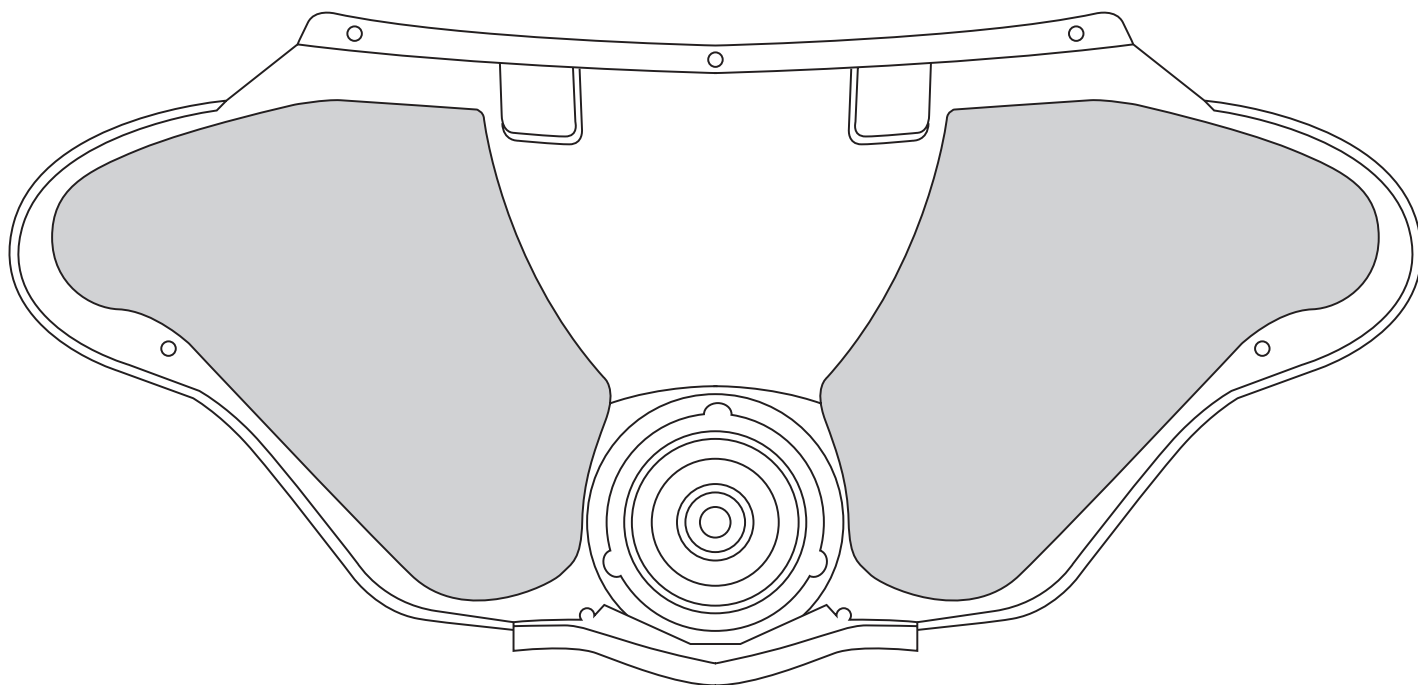


**Inside Fairing Acoustic Speaker  
Pads for 1989-2013 Harley  
Davidson® Motorcycles with  
Classic (Bat Wing) Fairing**

**#FSAP-HDCL**

**Installation  
and  
Instructions**



## Classic (Bat Wing) Fairing

### Installation and Instructions

1. Remove the windshield and outer fairing shell.
2. Clean and dry thoroughly the inside of the outer fairing shell where the J&M acoustic panels will be applied.
3. Determine the proper positioning of both the left and right acoustic panels in the fairing shell. Then peel the paper from the adhesive backing and apply each panel in the proper position. **(See Diagram)**
4. Replace the outer fairing shell and windshield.

---

Thank you for the confidence you have shown in J&M Corporation by purchasing one of our innovative products.

If you have any question or comments about this product, you may contact us at USA 1-520-624-7000 Monday thru Friday, 8:00AM thru 5:00PM Mountain Standard Time.



1415 S. Cherry Avenue  
Tucson, AZ 85713 U.S.A.  
Tel (800) 358-0881  
Website: <http://www.jmcorp.com>  
E-mail: [audio@jmcorp.com](mailto:audio@jmcorp.com)